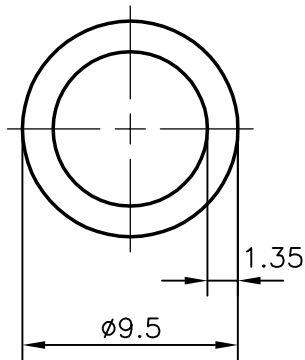
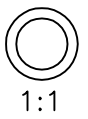


2221
13163



JINDAL ALUMINIUM LTD.
BANGALORE-560073

		NAME	DATE
		DRAWN	R.D.Sharma 22-8-95
1. ALL DIMENSIONS ARE IN mm. 2. ROUND OFF ALL SHARP CORNERS WITH 0.4 mm. 3. TOLERANCES WILL BE AS PER IS :2673-1979 UNLESS OTHERWISE SPECIFIED		CHECKED	
		APPROVED	
		SCALE	3:1
PARTY'S NAME	-	WEIGHT kg/m	0.093
PARTY'S DRAWING No.	-	SECTION No.	13163
ALLOY & TEMPER	HE9 WP	DRAWING No.	13163
LENGTH	3658 mm.		
DESCRIPTION	ROUND TUBE		