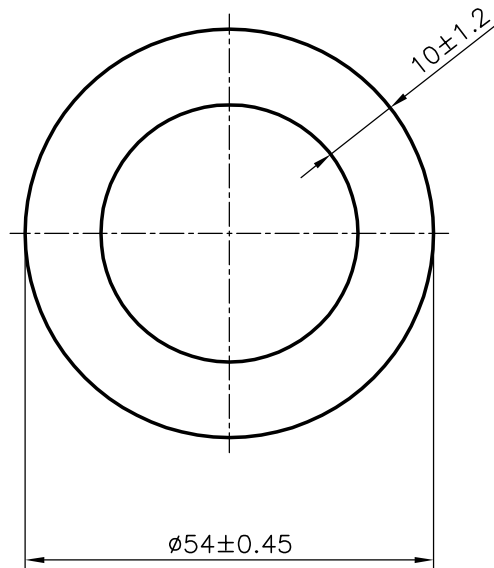



2228

13170



 SYMBOL OF QUALITY AN ISO 9002 COMPANY	JINDAL ALUMINIUM LTD. <i>BANGALORE-560073 (INDIA)</i>		NAME	DATE
		DRAWN	RAGHAVENDRA	27-01-2004
1. ALL DIMENSIONS ARE IN mm. 2. ROUND OFF ALL SHARP CORNERS WITH 0.40 mm. 3. TOLERANCES WILL BE AS PER IS:2673-2002 UNLESS OTHERWISE SPECIFIED		CHECKED		
		APPROVED		
PARTY'S NAME MINING TOOLS CO.		SCALE		1:1
		AREA mm ²		1382.301
PARTY'S DRAWING No. AS PER SPECIFICATION		PERIMETER mm.		169.646
		WEIGHT kg/m		3.732
ALLOY & TEMPER HE9 WP		DRAWING No.	SECTION No.	
		N341	N341	
DESCRIPTION ROUND TUBE		2228	2228	
		13170	13170	