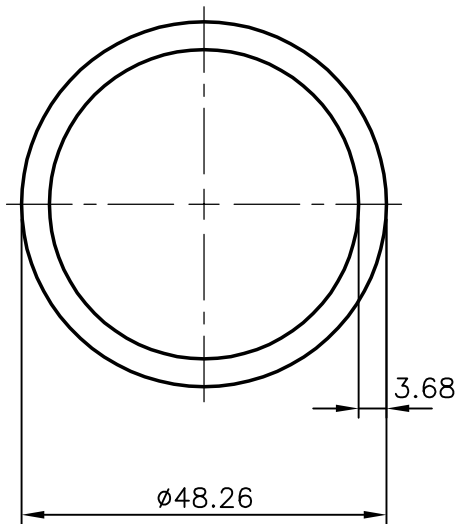



2230
13172



 SYMBOL OF QUALITY AN ISO 9001 COMPANY	JINDAL ALUMINIUM LTD. <i>BANGALORE-560073 (INDIA)</i>		NAME	DATE
		DRAWN	MALINGAPPA	02-12-2005
1. ALL DIMENSIONS ARE IN mm. 2. ROUND OFF ALL SHARP CORNERS WITH 0.40 mm. 3. TOLERANCES WILL BE AS PER IS:2673-2002 UNLESS OTHERWISE SPECIFIED		CHECKED		
		APPROVED		
PARTY'S NAME BEST & CROMPTON ENGG. CHENAAI		SCALE		1:1
		AREA mm ²		515.392
PARTY'S DRAWING No. -		PERIMETER mm.		151.613
		WEIGHT kg/m		1.391
ALLOY & TEMPER E91E WP		DRAWING No.	SECTION No.	
		2230	2230	
DESCRIPTION ROUND TUBE		13172	13172	