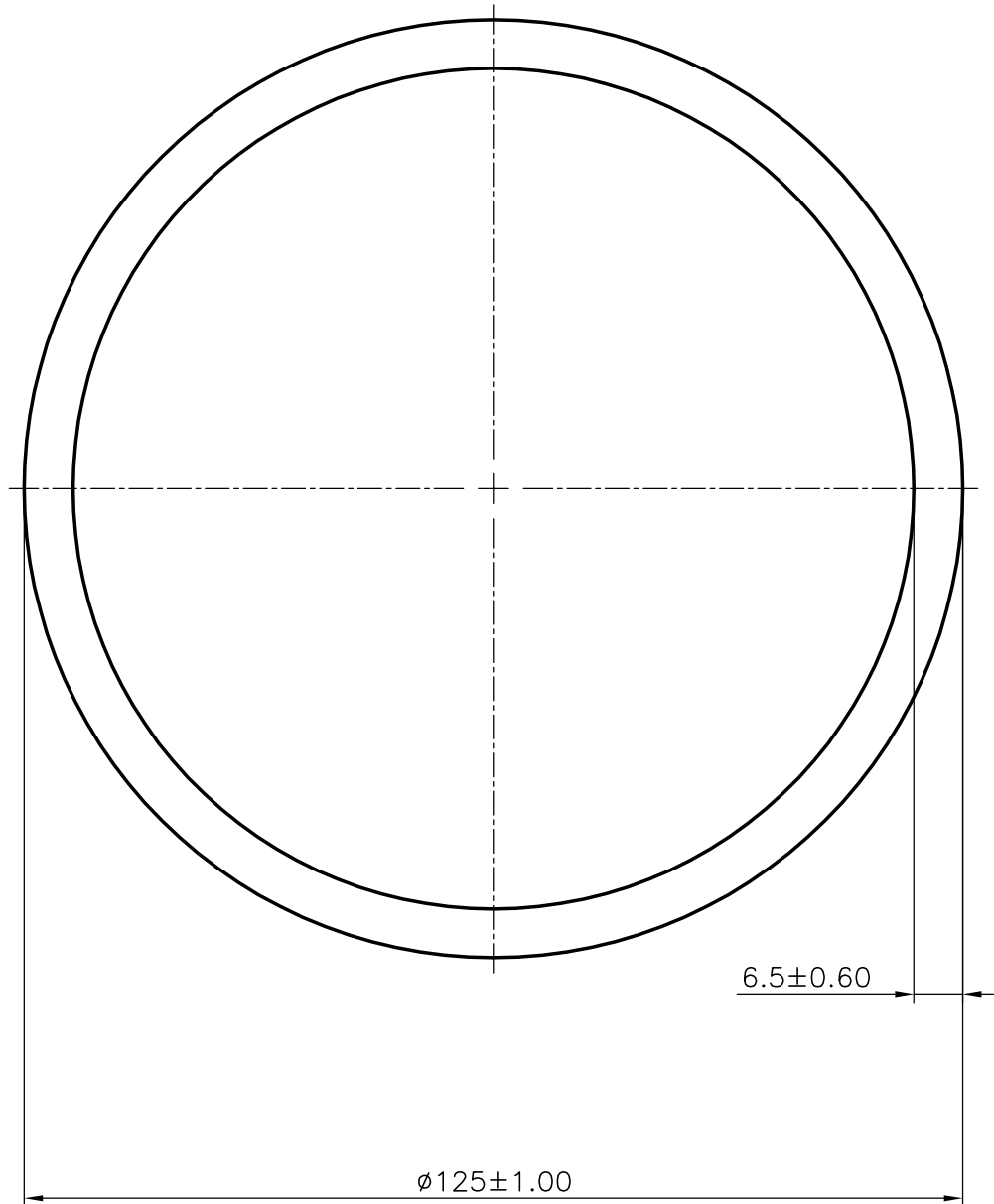


2233

13173



SYMBOL OF QUALITY  
AN ISO 9001 COMPANY

**JINDAL ALUMINIUM LTD.**  
*BANGALORE-560073 (INDIA)*

	NAME	DATE
DRAWN	J.P.KAUSHIK	07-10-2005
CHECKED		
APPROVED		

1. ALL DIMENSIONS ARE IN mm.
2. ROUND OFF ALL SHARP CORNERS WITH 0.40 mm.
3. TOLERANCES WILL BE AS PER IS:2673-2002 UNLESS OTHERWISE SPECIFIED

SCALE	1:1
AREA mm <sup>2</sup>	2419.812
PERIMETER mm.	392.699
WEIGHT kg/m	6.533

PARTY'S NAME VAC TEC (P. LTD.,CHIKALTHANA

PARTY'S DRAWING No. -

ALLOY & TEMPER HE9 WP

DESCRIPTION ROUND TUBE

DRAWING No.	SECTION No.
2233	2233
13173	13173