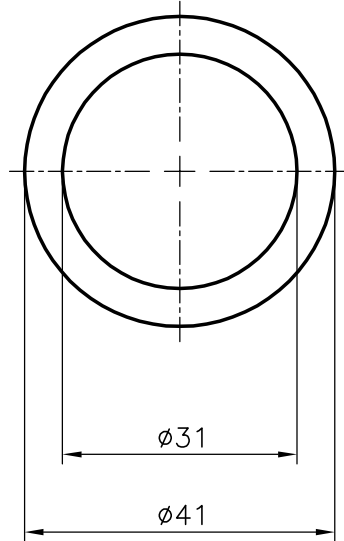


2234

13174



SYMBOL OF QUALITY
AN ISO 9001 COMPANY

JINDAL ALUMINIUM LTD.
BANGALORE-560073 (INDIA)

	NAME	DATE
DRAWN	J.P.KAUSHIK	07-10-2005
CHECKED		
APPROVED		

1. ALL DIMENSIONS ARE IN mm.
2. ROUND OFF ALL SHARP CORNERS WITH 0.40 mm.
3. TOLERANCES WILL BE AS PER IS:2673-2002 UNLESS OTHERWISE SPECIFIED

SCALE	1:1
AREA mm ²	565.487
PERIMETER mm.	128.805
WEIGHT kg/m	1.527

PARTY'S NAME	ASSOCIATED ENGINEERS.,NEW DELHI
PARTY'S DRAWING No.	-
ALLOY & TEMPER	E1E 'M'
DESCRIPTION	ROUND TUBE

DRAWING No.	SECTION No.
2234	2234
13174	13174