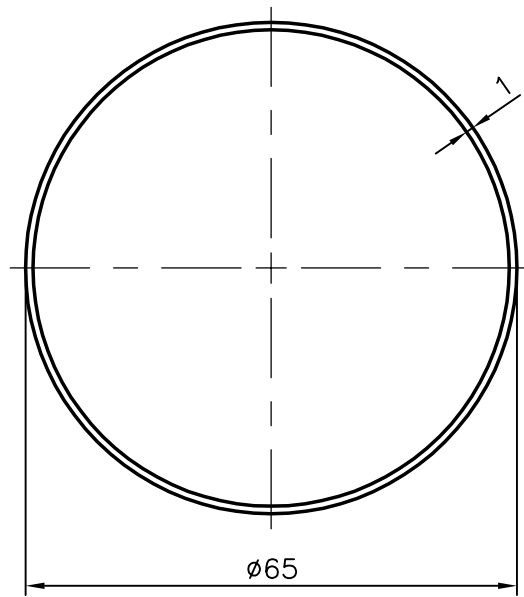



2236
13175
-



 SYMBOL OF QUALITY AN ISO 9001 COMPANY	<b>JINDAL ALUMINIUM LTD.</b> <i>BANGALORE-560073 (INDIA)</i>	NAME	DATE
		DRAWN PRASANN.H	28-12-2006
1. ALL DIMENSIONS ARE IN mm. 2. ROUND OFF ALL SHARP CORNERS WITH 0.4 mm. 3. TOLERANCES WILL BE AS PER IS:2673-1979 UNLESS OTHERWISE SPECIFIED		CHECKED	
		APPROVED	
PARTY'S NAME -		SCALE	1:1
		AREA mm <sup>2</sup>	201.062
PARTY'S DRAWING No. -		PERIMETER mm.	204.204
		WEIGHT kg/m	0.542
ALLOY & TEMPER HE9 WP		DRAWING No.	SECTION No.
		2236	2236
DESCRIPTION ROUND TUBE		13175	13175
		-	-