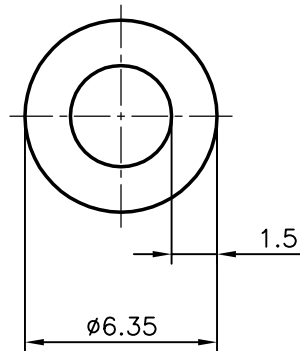


2238



13176



SYMBOL OF QUALITY  
AN ISO 9001 COMPANY

**JINDAL ALUMINIUM LTD.**  
**BANGALORE-560073 (INDIA)**

	NAME	DATE
DRAWN		05-12-2006
CHECKED		
APPROVED		
SCALE		4:1
AREA mm <sup>2</sup>		22.855
PERIMETER mm.		19.949
WEIGHT kg/m		0.062
DRAWING No.	SECTION No.	
2238	2238	
13176	13176	

1. ALL DIMENSIONS ARE IN mm.
2. ROUND OFF ALL SHARP CORNERS WITH 0.40 mm.
3. TOLERANCES WILL BE AS PER IS:6477-1983 UNLESS OTHERWISE SPECIFIED

PARTY'S NAME	THE FERTILIZER CORPORATION OF INDIA LTD.
PARTY'S DRAWING No.	
ALLOY & TEMPER	
DESCRIPTION	