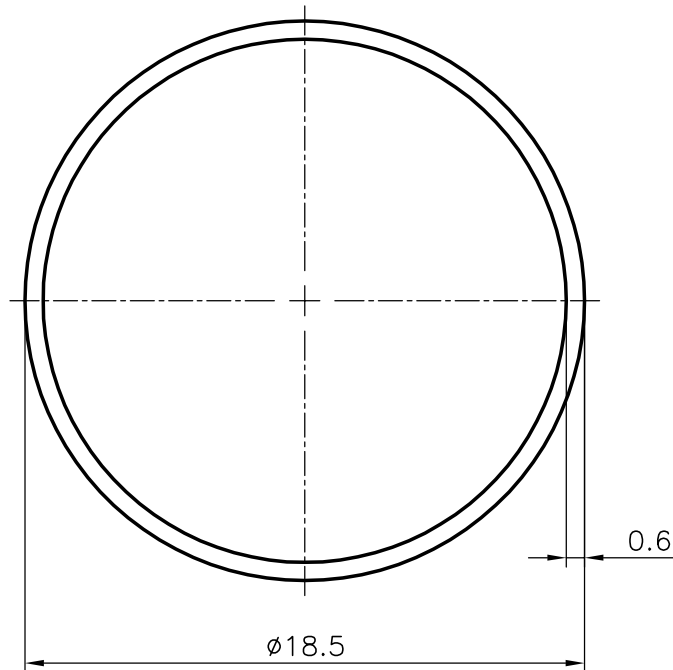
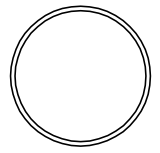


2246

13183



SYMBOL OF QUALITY
AN ISO 9001 COMPANY

JINDAL ALUMINIUM LTD.
BANGALORE-560073 (INDIA)

| | NAME | DATE |
|----------|-------------|------------|
| DRAWN | J.P.KAUSHIK | 07-10-2005 |
| CHECKED | | |
| APPROVED | | |

1. ALL DIMENSIONS ARE IN mm.
2. ROUND OFF ALL SHARP CORNERS WITH 0.40 mm.
3. TOLERANCES WILL BE AS PER IS:2673-2002 UNLESS OTHERWISE SPECIFIED

| | |
|----------------------|--------|
| SCALE | 4:1 |
| AREA mm ² | 33.741 |
| PERIMETER mm. | 58.119 |
| WEIGHT kg/m | 0.091 |

| | | | | | |
|---------------------|------------|-------------|-------|-------------|-------|
| PARTY'S NAME | — | DRAWING No. | 2246 | SECTION No. | 2246 |
| PARTY'S DRAWING No. | — | | 13183 | | 13183 |
| ALLOY & TEMPER | HE9 WP | | | | |
| DESCRIPTION | ROUND TUBE | | | | |