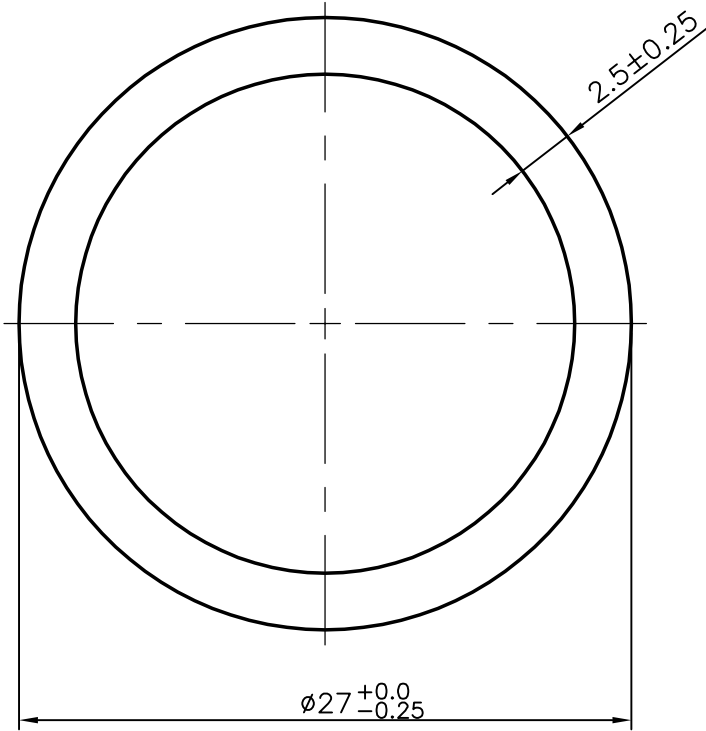
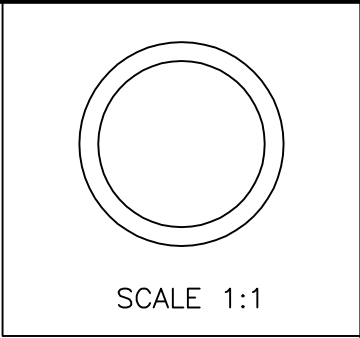



2250
13186
—



 SYMBOL OF QUALITY AN ISO 9001 COMPANY	JINDAL ALUMINIUM LTD. <i>BANGALORE-560073 (INDIA)</i>	NAME		DATE
		DRAWN	PRASANN.H	28-12-2006
1. ALL DIMENSIONS ARE IN mm. 2. ROUND OFF ALL SHARP CORNERS WITH 0.4 mm. 3. TOLERANCES WILL BE AS PERIS:2673-2002 UNLESS OTHERWISE SPECIFIED		CHECKED		
		APPROVED		
PARTY'S NAME ASHOKA INDUSTRIES CALCUTTA		SCALE		3:1
		AREA mm ²		192.423
PARTY'S DRAWING No. —		PERIMETER mm.		84.823
		WEIGHT kg/m		0.52
ALLOY & TEMPER HE9 WP		DRAWING No.	SECTION No.	
		2250	2250	
DESCRIPTION ROUND TUBE		13186	13186	
		—	—	