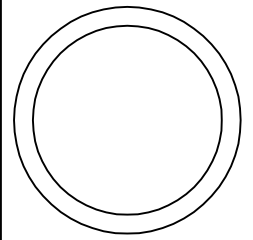


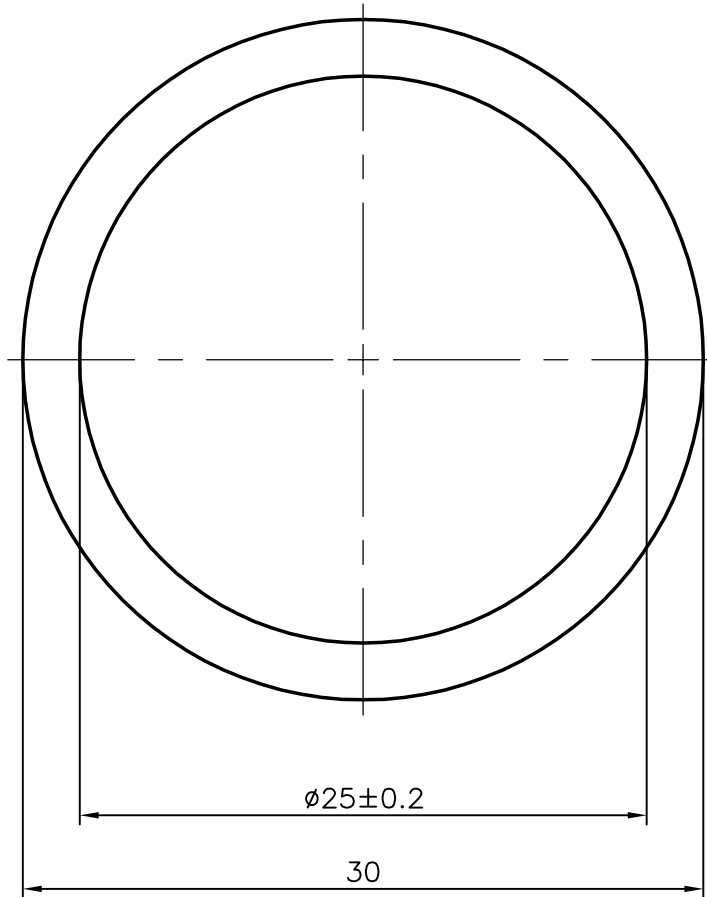
2255

13190

-



SCALE 1:1



NOTE:-

1. EXTRUDED & DRAWN TUBE
2. EXTRUDED SIZE 30.0 O.D.x24.5 I.D.



SYMBOL OF QUALITY
AN ISO 9001 COMPANY

JINDAL ALUMINIUM LTD.
BANGALORE-560073 (INDIA)

	NAME	DATE
DRAWN	PRASANN.H	27-12-2006
CHECKED		
APPROVED		

1. ALL DIMENSIONS ARE IN mm.
2. ROUND OFF ALL SHARP CORNERS WITH 0.4 mm.
3. TOLERANCES WILL BE AS PER IS:2673-1979 UNLESS OTHERWISE SPECIFIED

SCALE	3:1
AREA mm ²	215.984
PERIMETER mm.	94.248
WEIGHT kg/m	0.583

PARTY'S NAME	LOHIA STARLINGER PVT. LTD.,. KANPUR
PARTY'S DRAWING No.	-
ALLOY & TEMPER	HE9 WP
DESCRIPTION	ROUND TUBE

DRAWING No.	SECTION No.
2255	2255
13190	13190
-	-