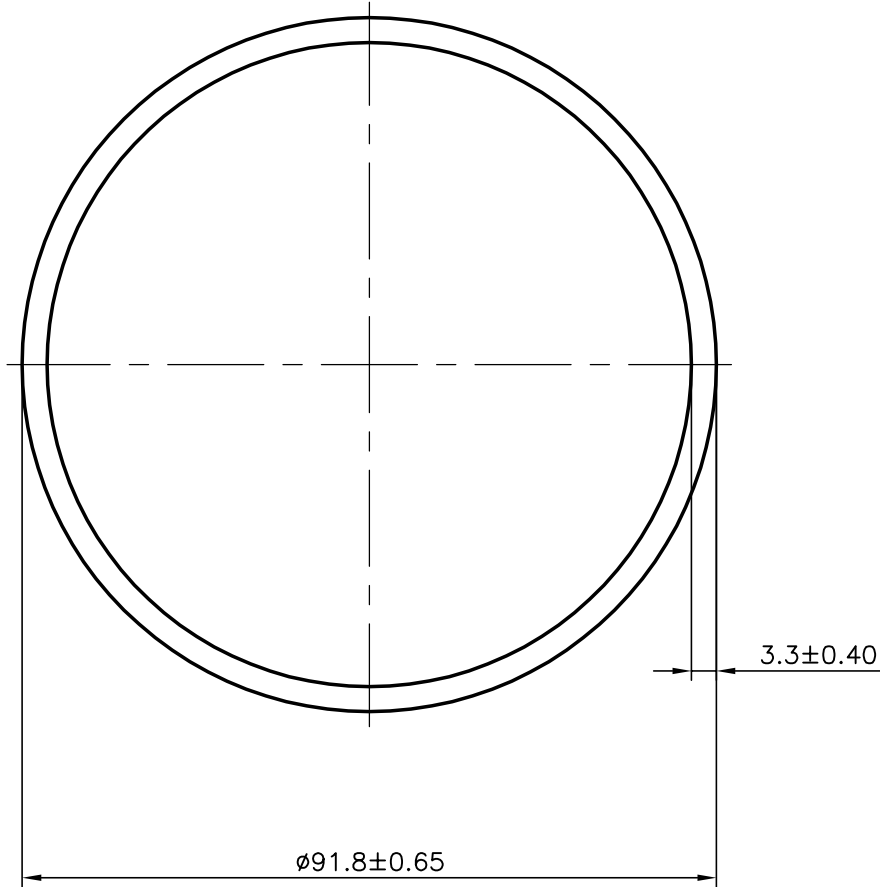


2257

13192

OVALITY:-  $\pm 0.70$  mm.

SYMBOL OF QUALITY  
AN ISO 9001 COMPANY

**JINDAL ALUMINIUM LTD.**  
BANGALORE-560073 (INDIA)

	NAME	DATE
DRAWN	PRASHANT	05-12-2006
CHECKED		
APPROVED		
SCALE		1:1
AREA mm <sup>2</sup>		917.502
PERIMETER mm.		288.398
WEIGHT kg/m		2.477
DRAWING No.	SECTION No.	
2257	2257	
13192	13192	

1. ALL DIMENSIONS ARE IN mm.
2. ROUND OFF ALL SHARP CORNERS WITH 0.40 mm.
3. TOLERANCES WILL BE AS PER IS:2673-2002 UNLESS OTHERWISE SPECIFIED

PARTY'S NAME B.P.L. INDIA LTD., BANGALORE

PARTY'S DRAWING No. -

ALLOY & TEMPER HE30 WP

DESCRIPTION ROUND TUBE