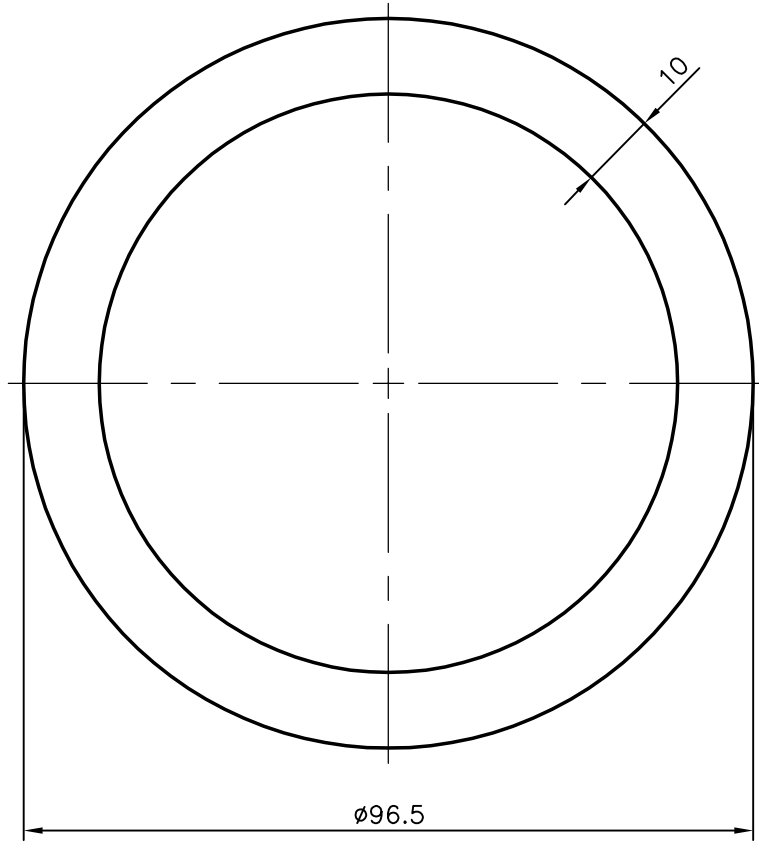



2268
13198
—



 SYMBOL OF QUALITY AN ISO 9001 COMPANY	JINDAL ALUMINIUM LTD. BANGALORE-560073 (INDIA)	NAME	DATE
		DRAWN	PRASANN.H 28-12-2006
1. ALL DIMENSIONS ARE IN mm. 2. ROUND OFF ALL SHARP CORNERS WITH 0.4 mm. 3. TOLERANCES WILL BE AS PER IS:2673-2002 UNLESS OTHERWISE SPECIFIED		CHECKED	
		APPROVED	
PARTY'S NAME PEEVEE ENGINEERING ENTERPRISE BANGALORE		SCALE	1:1
		AREA mm ²	2717.478
PARTY'S DRAWING No. —		PERIMETER mm.	303.164
		WEIGHT kg/m	7.337
ALLOY & TEMPER EIE 'M'		DRAWING No.	SECTION No.
		2268	2268
DESCRIPTION ROUND TUBE		13198	13198
		—	—