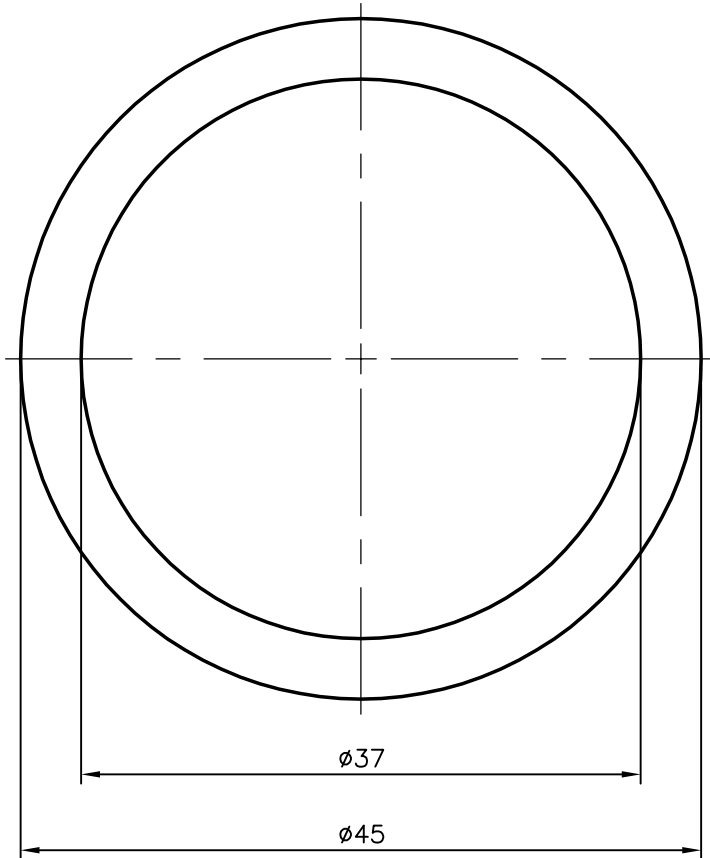
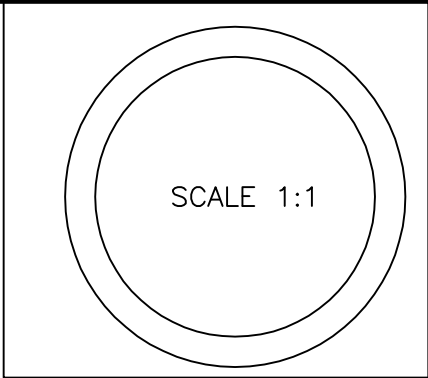



2270
13200
—



 SYMBOL OF QUALITY AN ISO 9001 COMPANY	JINDAL ALUMINIUM LTD. <i>BANGALORE-560073 (INDIA)</i>	DRAWN	NAME	DATE
		CHECKED	PRASANN.H	28-12-2006
1. ALL DIMENSIONS ARE IN mm. 2. ROUND OFF ALL SHARP CORNERS WITH 0.4 mm. 3. TOLERANCES WILL BE AS PERIS:2673-1979 UNLESS OTHERWISE SPECIFIED		APPROVED		
		SCALE		2:1
PARTY'S NAME HINDUSTAN REPROGRAPHICS LTD. DEHRADUN		AREA	mm ²	515.221
		PERIMETER	mm.	141.372
PARTY'S DRAWING No. —		WEIGHT	kg/m	1.391
		DRAWING No.		SECTION No.
ALLOY & TEMPER NE4 'M'		2270		2270
		13200		13200
DESCRIPTION ROUND TUBE		—		—