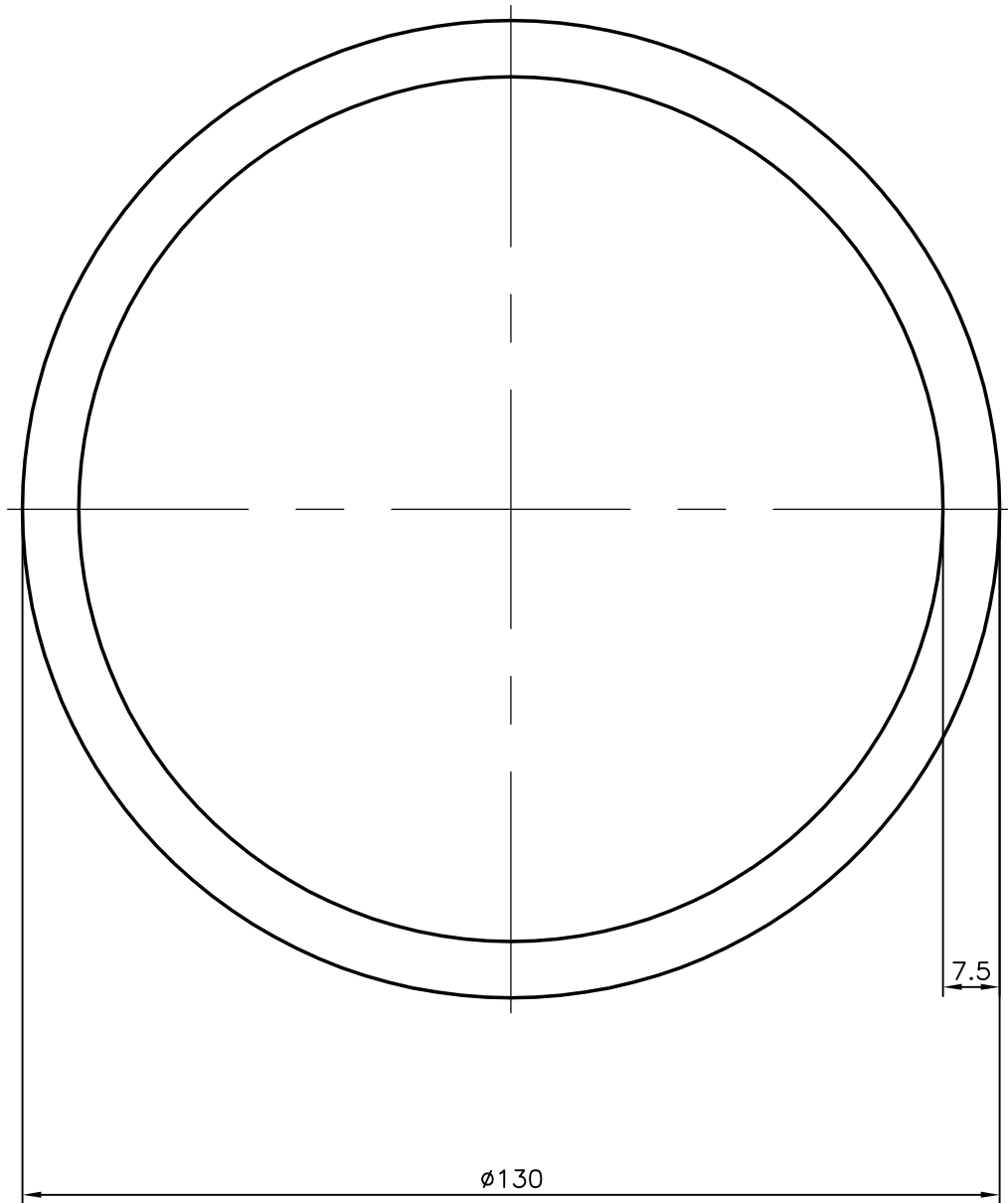



2271

13201



 SYMBOL OF QUALITY AN ISO 9001 COMPANY	JINDAL ALUMINIUM LTD. <i>BANGALORE-560073 (INDIA)</i>		NAME	DATE
		DRAWN	PRASHANT	05-12-2006
1. ALL DIMENSIONS ARE IN mm. 2. ROUND OFF ALL SHARP CORNERS WITH 0.40 mm. 3. TOLERANCES WILL BE AS PER IS:2673-2002 UNLESS OTHERWISE SPECIFIED		CHECKED		
		APPROVED		
PARTY'S NAME NGEF LTD., BANGALORE		SCALE		1:1
		AREA mm ²		2886.338
PARTY'S DRAWING No. -		PERIMETER mm.		408.407
		WEIGHT kg/m		7.793
ALLOY & TEMPER HE30 WP		DRAWING No.		SECTION No.
		2271		2271
DESCRIPTION ROUND TUBE		13201		13201