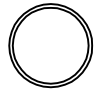
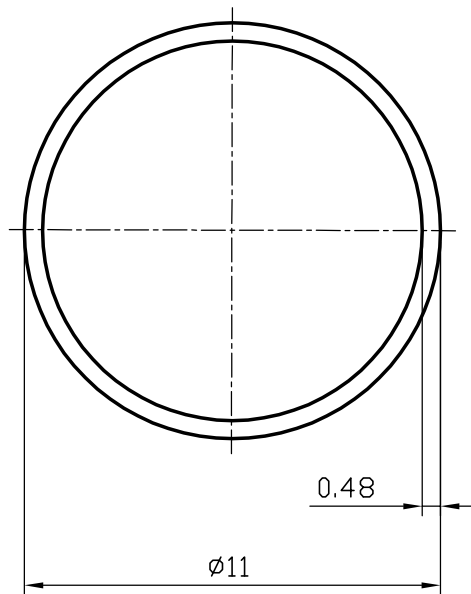


2278

13207



SCALE 1:1



GENERAL WALL THICKNESS = 0.48mm

NO OF PIECES IN 100 kgs:- 635 (AVERAGE)



SYMBOL OF QUALITY
AN ISO 9002 COMPANY

JINDAL ALUMINIUM LTD.
BANGALORE-560073 (INDIA)

	NAME	DATE
DRAWN	RAGHAVENDRA	18-10-01
CHECKED		
APPROVED		

SCALE 5:1 & 1:1

WEIGHT kg/m 0.043

PERIMETER 34.56mm

SECTION No. 13207

DRAWING No. 13207

1. ALL DIMENSIONS ARE IN mm.
2. ROUND OFF ALL SHARP CORNERS WITH 0.40 mm.
3. TOLERANCES WILL BE AS PER I.S 2673-1979 UNLESS OTHERWISE SPECIFIED

PARTY'S NAME

-

PARTY'S DRAWING No.

-

ALLOY & TEMPER

HE9 WP

DESCRIPTION

ROUND TUBE