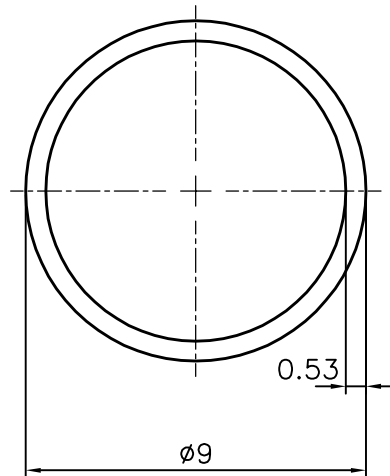


2279

13208



1:1




NO. OF PIECES IN 100 kgs:- 714 (AVERAGE)

ISSUE-2: -

THICKNESS REDUCED FROM 0.57 TO 0.53 mm

WEIGHT ALSO CHANGED FROM 0.041KG/M TO 0.038 kg/M

 SYMBOL OF QUALITY AN ISO 9001 COMPANY	JINDAL ALUMINIUM LTD. BANGALORE-560073 (INDIA)		NAME	DATE
		DRAWN	J.P.KAUSHIK	29-11-2013
		CHECKED		
		APPROVED	S.S.GARG	29-11-2013
1. ALL DIMENSIONS ARE IN mm. 2. ROUND OFF ALL SHARP CORNERS WITH 0.40 mm. 3. TOLERANCES WILL BE AS PER IS:2673-2002 UNLESS OTHERWISE SPECIFIED		SCALE		5:1
		AREA mm ²		14.103
		PERIMETER mm.		28.274
		WEIGHT kg/m		0.038
PARTY'S NAME	GENERAL CATEGORY, DELHI MARKET	DRAWING No.	SECTION No.	
PARTY'S DRAWING No.	-	2279	2279	
ALLOY & TEMPER	HE9 WP	13208	13208(ISSUE-2)	
DESCRIPTION	ROUND TUBE			