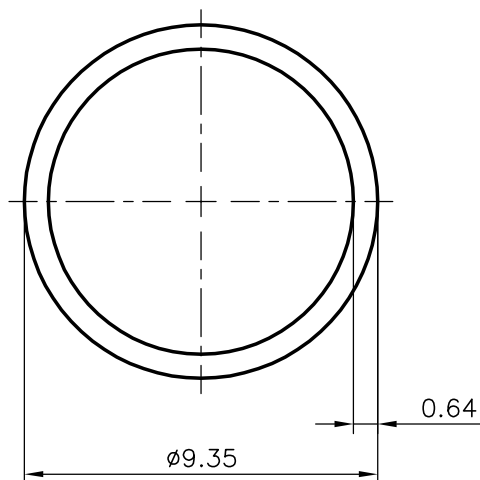



2280

13209



SCALE 1:1



 SYMBOL OF QUALITY AN ISO 9002 COMPANY	<b>JINDAL ALUMINIUM LTD.</b> <i>BANGALORE-560073 (INDIA)</i>	NAME	DATE
		DRAWN	RAGHAVENDRA 26-10-2006
		CHECKED	
		APPROVED	
1. ALL DIMENSIONS ARE IN mm. 2. ROUND OFF ALL SHARP CORNERS WITH 0.40 mm. 3. TOLERANCES WILL BE AS PER IS:2673-2002 UNLESS OTHERWISE SPECIFIED		SCALE	5:1
		AREA mm <sup>2</sup>	17.512
		PERIMETER mm.	29.374
PARTY'S NAME	—	WEIGHT kg/m	0.048
PARTY'S DRAWING No.	—	DRAWING No.	SECTION No.
ALLOY & TEMPER	HE9 WP	2280	2280
DESCRIPTION	ROUND TUBE	13209	13209