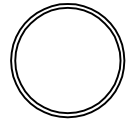
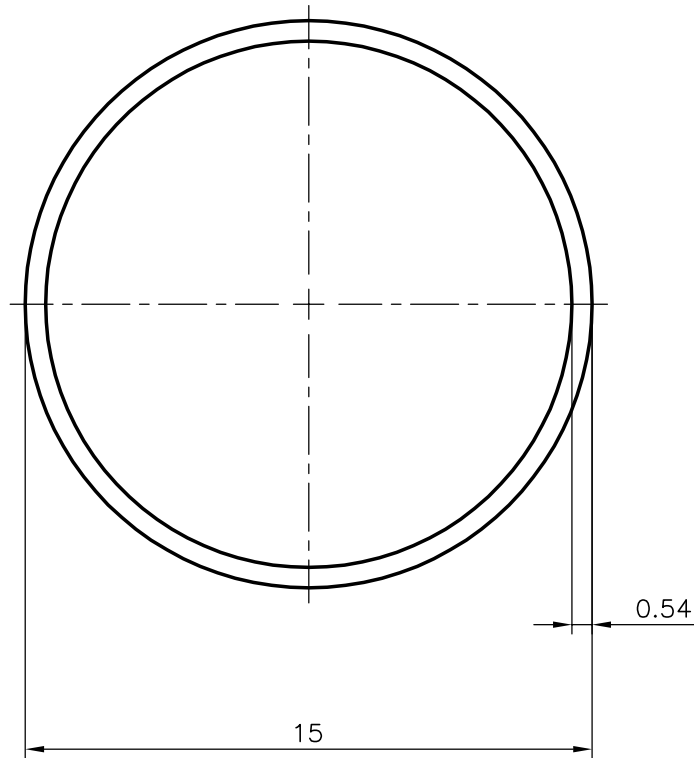


2283

13211



SCALE 1:1



3658 mm, LONG PIECES IN 100 Kgs = 410 (AVERAGE)



SYMBOL OF QUALITY
AN ISO 9002 COMPANY

JINDAL ALUMINIUM LTD.
BANGALORE-560073 (INDIA)

	NAME	DATE
DRAWN	RAGHAVENDRA	24-02-2004
CHECKED		
APPROVED		
SCALE		5:1
AREA mm ²		24.531
PERIMETER mm.		47.124
WEIGHT kg/m		0.066
DRAWING No.		SECTION No.
2283		2283
13211		13211

1. ALL DIMENSIONS ARE IN mm.
2. ROUND OFF ALL SHARP CORNERS WITH 0.40 mm.
3. TOLERANCES WILL BE AS PER IS:2673-2002 UNLESS OTHERWISE SPECIFIED

PARTY'S NAME	—
PARTY'S DRAWING No.	—
ALLOY & TEMPER	HE9 WP
DESCRIPTION	ROUND TUBE