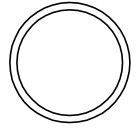
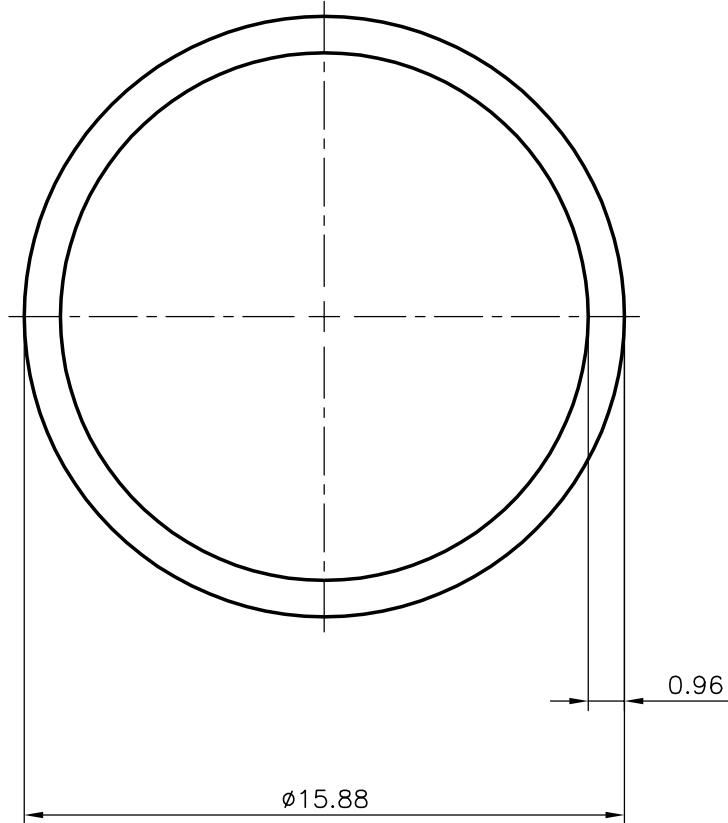


2284

13212



SCALE 1:1



SYMBOL OF QUALITY
AN ISO 9001 COMPANY

JINDAL ALUMINIUM LTD.
BANGALORE-560073 (INDIA)

	NAME	DATE
DRAWN	RAGHAVENDRA	26-10-2006
CHECKED		
APPROVED		

1. ALL DIMENSIONS ARE IN mm.
2. ROUND OFF ALL SHARP CORNERS WITH 0.40 mm.
3. TOLERANCES WILL BE AS PER IS:2673-2002 UNLESS OTHERWISE SPECIFIED

SCALE	5:1
AREA mm ²	44.998
PERIMETER mm.	49.888
WEIGHT kg/m	0.121

PARTY'S NAME	—	DRAWING No.	SECTION No.
PARTY'S DRAWING No.	—	2284	2284
ALLOY & TEMPER	HE9 WP	13212	13212
DESCRIPTION	ROUND TUBE		