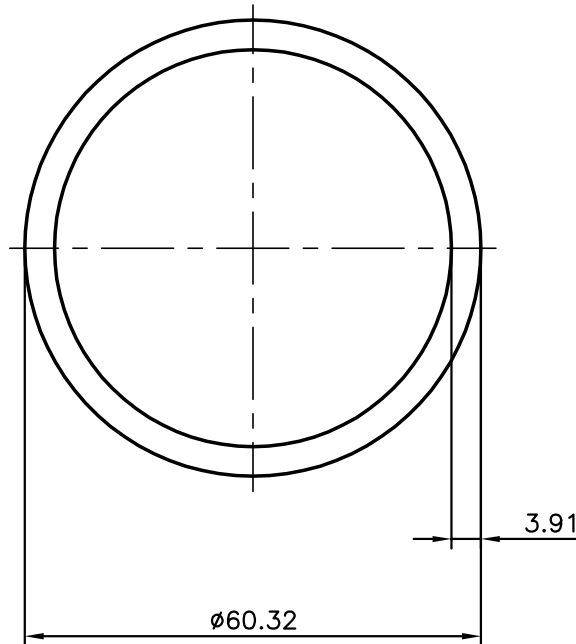



2291

13218



 SYMBOL OF QUALITY AN ISO 9001 COMPANY	<b>JINDAL ALUMINIUM LTD.</b> <i>BANGALORE-560073 (INDIA)</i>		NAME	DATE
		DRAWN	PRASHANT	05-12-2006
1. ALL DIMENSIONS ARE IN mm. 2. ROUND OFF ALL SHARP CORNERS WITH 0.40 mm. 3. TOLERANCES WILL BE AS PER IS:2673-2002 UNLESS OTHERWISE SPECIFIED		CHECKED		
		APPROVED		
PARTY'S NAME HIN. BROWN BOVERI LTD., BARODA		SCALE		1:1
		AREA mm <sup>2</sup>		692.919
PARTY'S DRAWING No. -		PERIMETER mm.		189.501
		WEIGHT kg/m		1.870
ALLOY & TEMPER HE9 WP		DRAWING No.		SECTION No.
		2291		2291
DESCRIPTION ROUND TUBE		13218		13218