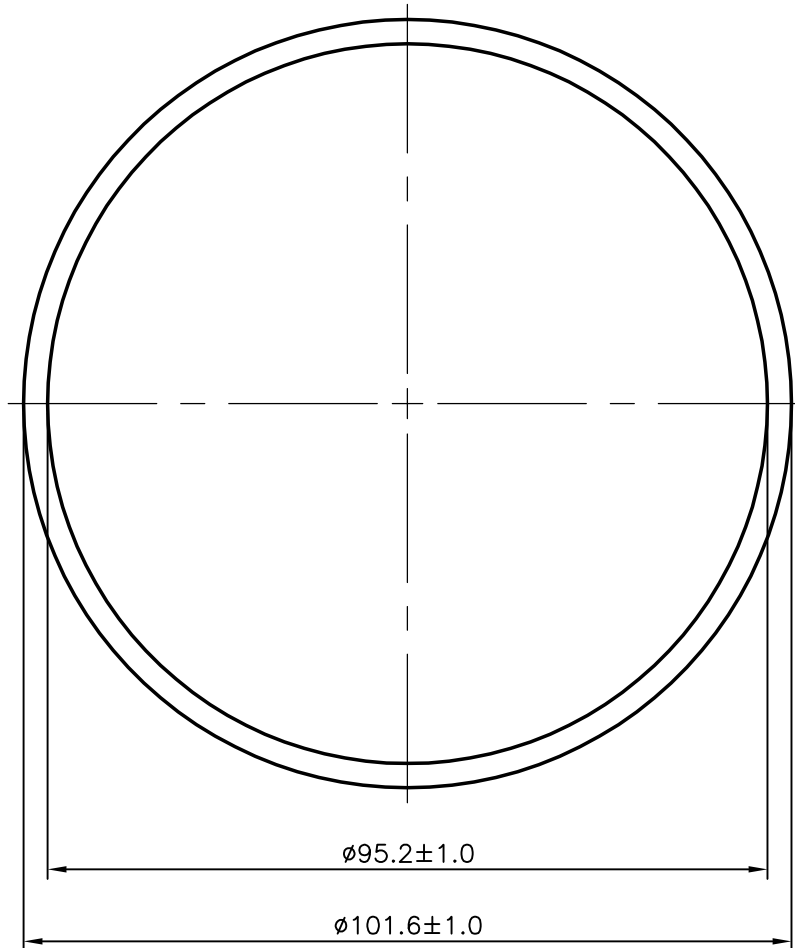


2292

13219

-

 $\phi 95.2 \pm 1.0$ $\phi 101.6 \pm 1.0$ 

SYMBOL OF QUALITY
AN ISO 9001 COMPANY

JINDAL ALUMINIUM LTD.
BANGALORE-560073 (INDIA)

	NAME	DATE
DRAWN	PRASANN.H	28-12-2006
CHECKED		
APPROVED		

1. ALL DIMENSIONS ARE IN mm.
2. ROUND OFF ALL SHARP CORNERS WITH 0.4 mm.
3. TOLERANCES WILL BE AS PER IS:2673-2002 UNLESS OTHERWISE SPECIFIED

SCALE	1:1
AREA mm ²	989.225
PERIMETER mm.	319.186
WEIGHT kg/m	2.671

PARTY'S NAME	HINDUSTAN BROWN BOVERI LIMITED, BARODA
--------------	--

DRAWING No.	SECTION No.
2292	2292
13219	13219
-	-

PARTY'S DRAWING No.	-
---------------------	---

ALLOY & TEMPER	E91E WP
----------------	---------

DESCRIPTION	ROUND TUBE
-------------	------------