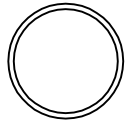
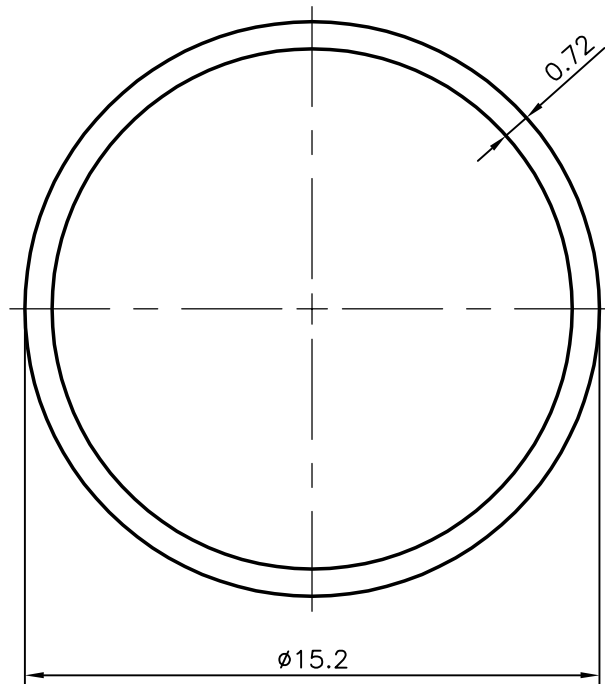



2307
13228
-



SCALE 1:1



 SYMBOL OF QUALITY AN ISO 9001 COMPANY	JINDAL ALUMINIUM LTD. <i>BANGALORE-560073 (INDIA)</i>	NAME	DATE
		DRAWN PRASANN.H	28-12-2006
1. ALL DIMENSIONS ARE IN mm. 2. ROUND OFF ALL SHARP CORNERS WITH 0.4 mm. 3. TOLERANCES WILL BE AS PERIS:2673-1979 UNLESS OTHERWISE SPECIFIED		CHECKED	
		APPROVED	
PARTY'S NAME -		SCALE	5:1
		AREA mm ²	32.753
PARTY'S DRAWING No. -		PERIMETER mm.	47.752
		WEIGHT kg/m	0.088
ALLOY & TEMPER HE9 WP		DRAWING No.	SECTION No.
		2307	2307
DESCRIPTION ROUND TUBE		13228	13228
		-	-