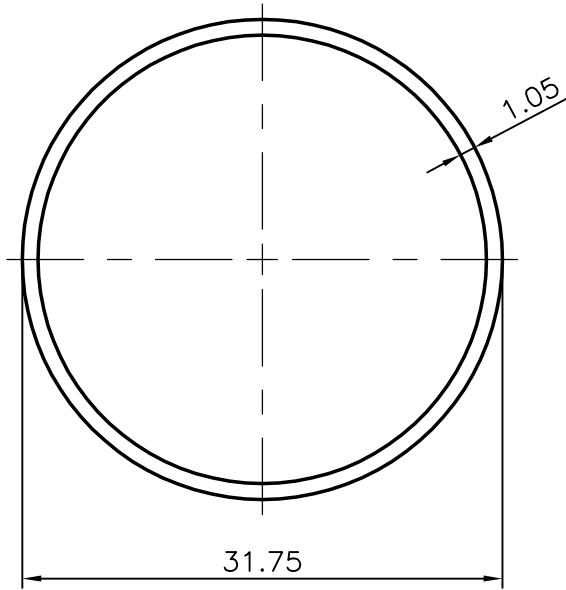
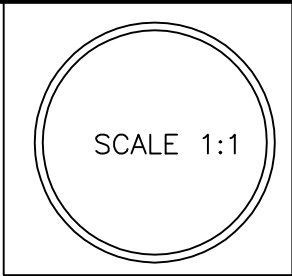



2308
13229
—



 SYMBOL OF QUALITY AN ISO 9001 COMPANY	JINDAL ALUMINIUM LTD. <i>BANGALORE-560073 (INDIA)</i>	NAME		DATE
		DRAWN	PRASANN.H	28-12-2006
1. ALL DIMENSIONS ARE IN mm. 2. ROUND OFF ALL SHARP CORNERS WITH 0.4 mm. 3. TOLERANCES WILL BE AS PERIS:2673-1979 UNLESS OTHERWISE SPECIFIED		CHECKED		
		APPROVED		
PARTY'S NAME —		SCALE		2:1
		AREA mm ²		101.269
PARTY'S DRAWING No. —		PERIMETER mm.		99.746
		WEIGHT kg/m		0.273
ALLOY & TEMPER HE9 WP		DRAWING No.	SECTION No.	
		2308	2308	
DESCRIPTION ROUND TUBE		13229	13229	
		—	—	