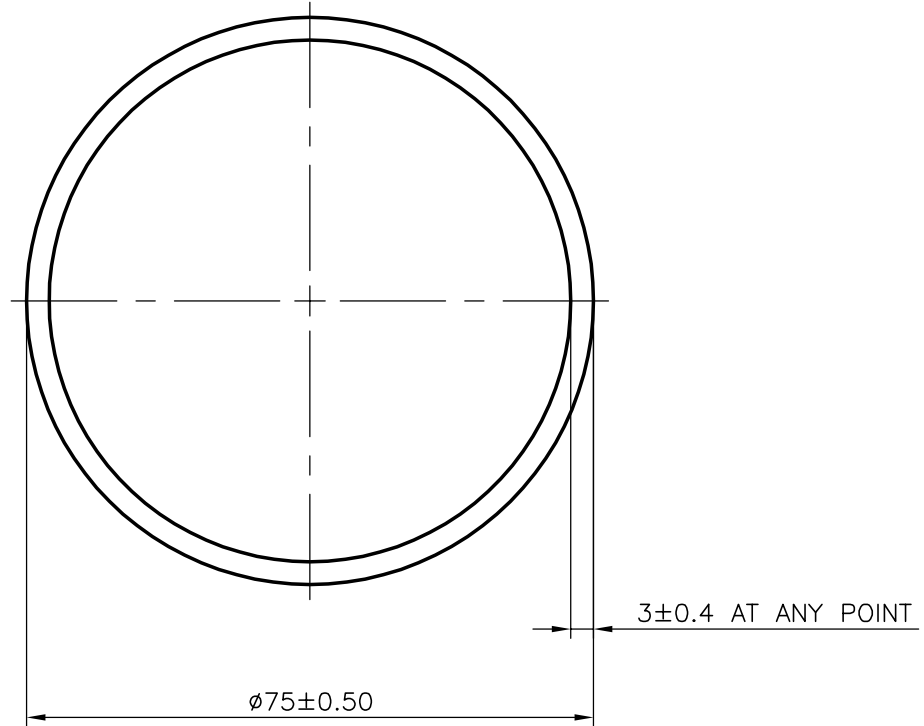



2312

13233



 SYMBOL OF QUALITY AN ISO 9002 COMPANY	JINDAL ALUMINIUM LTD. BANGALORE-560073 (INDIA)	NAME	DATE
		DRAWN	RAGHAVENDRA 11-03-2005
1. ALL DIMENSIONS ARE IN mm. 2. ROUND OFF ALL SHARP CORNERS WITH 0.40 mm. 3. TOLERANCES WILL BE AS PER IS:2673-2002 UNLESS OTHERWISE SPECIFIED		CHECKED	
		APPROVED	
PARTY'S NAME GENERAL CATEGORY.,		SCALE	1:1
		AREA mm ²	678.584
PARTY'S DRAWING No. -		PERIMETER mm.	235.619
		WEIGHT kg/m	1.832
ALLOY & TEMPER HE30 WP		DRAWING No.	SECTION No.
		2312	2312
DESCRIPTION ROUND TUBE		13233	13233