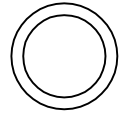
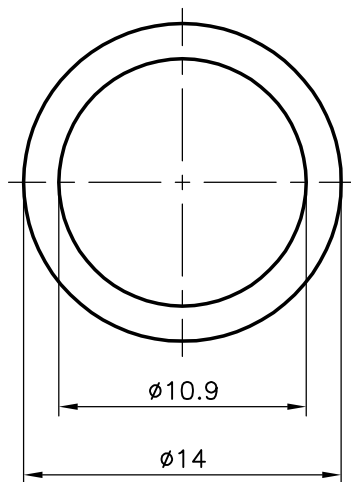


2313

13234



SCALE 1:1



SYMBOL OF QUALITY
AN ISO 9001 COMPANY

JINDAL ALUMINIUM LTD.
BANGALORE-560073 (INDIA)

	NAME	DATE
DRAWN	PRASHANT	05-12-2006
CHECKED		
APPROVED		
SCALE		3:1
AREA mm ²		60.625
PERIMETER mm.		43.982
WEIGHT kg/m		0.164
DRAWING No.	SECTION No.	
2313	2313	
13234	13234	

1. ALL DIMENSIONS ARE IN mm.
2. ROUND OFF ALL SHARP CORNERS WITH 0.40 mm.
3. TOLERANCES WILL BE AS PER IS:2673-2002 UNLESS OTHERWISE SPECIFIED

PARTY'S NAME PRIMUS-KABSONS PVT. LTD.,SEC'BAD

PARTY'S DRAWING No. -

ALLOY & TEMPER HE9 WP

DESCRIPTION ROUND TUBE