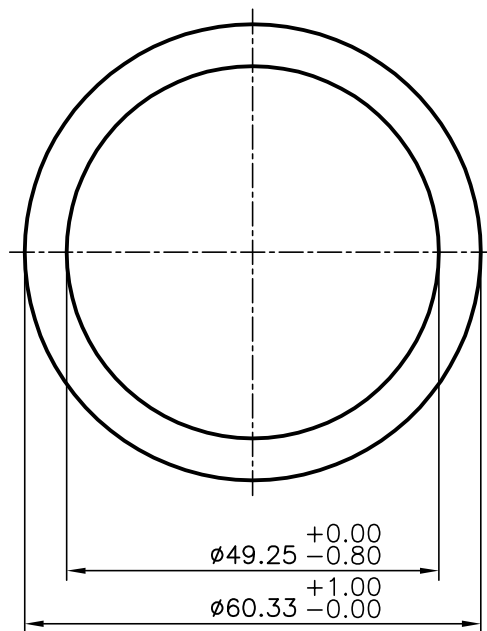



2315

13236



 SYMBOL OF QUALITY AN ISO 9002 COMPANY	JINDAL ALUMINIUM LTD. BANGALORE-560073 (INDIA)		NAME	DATE
		DRAWN	RAGHAVENDRA	11-03-2005
1. ALL DIMENSIONS ARE IN mm. 2. ROUND OFF ALL SHARP CORNERS WITH 0.40 mm. 3. TOLERANCES WILL BE AS PER IS:2673-2002 UNLESS OTHERWISE SPECIFIED		CHECKED		
		APPROVED		
PARTY'S NAME GENERAL CATEGORY.,		SCALE		1:1
		AREA mm ²		953.588
PARTY'S DRAWING No. -		PERIMETER mm.		189.532
		WEIGHT kg/m		2.575
ALLOY & TEMPER E1E "M"		DRAWING No.	SECTION No.	
		2315	2315	
DESCRIPTION IPS TUBE		13236	13236	