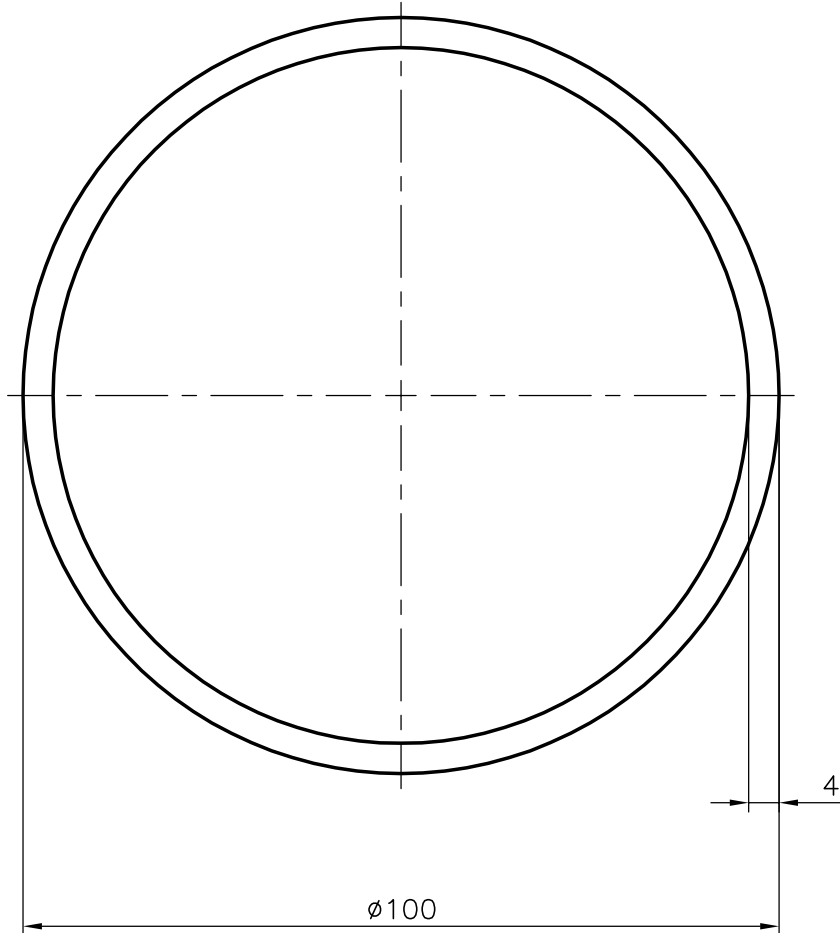



2322

13242



 SYMBOL OF QUALITY AN ISO 9001 COMPANY	<b>JINDAL ALUMINIUM LTD.</b> <i>BANGALORE-560073 (INDIA)</i>		NAME	DATE
		DRAWN	J.P.KAUSHIK	30-10-2006
1. ALL DIMENSIONS ARE IN mm. 2. ROUND OFF ALL SHARP CORNERS WITH 0.40 mm. 3. TOLERANCES WILL BE AS PER IS:2673-2002 UNLESS OTHERWISE SPECIFIED		CHECKED		
		APPROVED		
PARTY'S NAME B.E.L., BANGALORE		SCALE		1:1
		AREA mm <sup>2</sup>		1206.372
PARTY'S DRAWING No. -		PERIMETER mm.		314.159
		WEIGHT kg/m		3.257
ALLOY & TEMPER HE30 WP		DRAWING No.	SECTION No.	
		2322	2322	
DESCRIPTION ROUND TUBE		13242	13242	