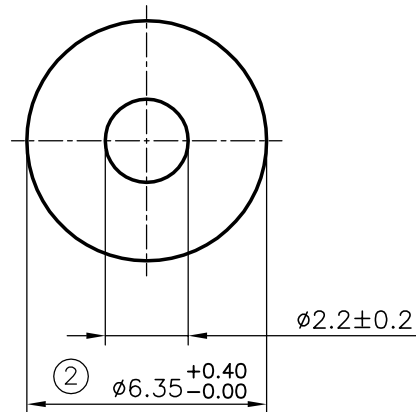


2327

13245-ISSUE-2



SCALE 1:1



ISSUE-2 TOLERANCE CHANGED FROM  $\phi 6.35^{+0.20}_{-0.00}$   $\phi 6.35^{+0.40}_{-0.00}$



SYMBOL OF QUALITY  
AN ISO 9001 COMPANY

**JINDAL ALUMINIUM LTD.**  
BANGALORE-560073 (INDIA)

	NAME	DATE
DRAWN	RAGHAVENDRA	08-05-2006
CHECKED		
APPROVED		
SCALE		5:1
AREA mm <sup>2</sup>		27.868
PERIMETER mm.		19.949
WEIGHT kg/m		0.075
DRAWING No.	SECTION No.	
2327	2327	
13245	13245-ISSUE-2	

1. ALL DIMENSIONS ARE IN mm.
2. ROUND OFF ALL SHARP CORNERS WITH 0.40 mm.
3. TOLERANCES WILL BE AS PER IS:2673-2002 UNLESS OTHERWISE SPECIFIED

PARTY'S NAME	INTEGRAL SYSTEMS & COMPONENTS PVT. LTD., BANGALORE
PARTY'S DRAWING No.	—
ALLOY & TEMPER	HE9 WP
DESCRIPTION	ROUND TUBE