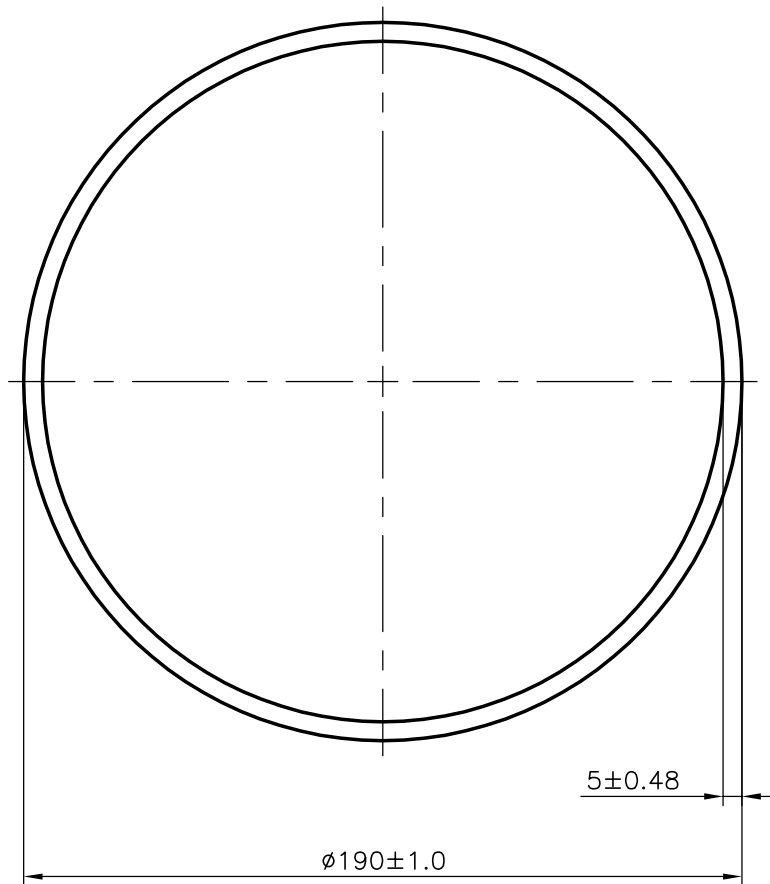



2329

13247



 SYMBOL OF QUALITY AN ISO 9001 COMPANY	JINDAL ALUMINIUM LTD. <i>BANGALORE-560073 (INDIA)</i>	NAME		DATE
		DRAWN	R.D.Sharma	17-09-2004
1. ALL DIMENSIONS ARE IN mm. 2. ROUND OFF ALL SHARP CORNERS WITH 0.40 mm. 3. TOLERANCES WILL BE AS PER IS:2673-2002 UNLESS OTHERWISE SPECIFIED		CHECKED		
		APPROVED		
PARTY'S NAME MODI INDUSTRIES (F.C.) PVT. LTD., BOMBAY		SCALE		1:2
		AREA mm ²		2905.97
PARTY'S DRAWING No. AS PER SPECIFICATION		PERIMETER mm.		596.9
		WEIGHT kg/m		7.846
ALLOY & TEMPER HE9 WP		DRAWING No.	SECTION No.	
		2329	2329	
DESCRIPTION ROUND TUBE		13247	13247	