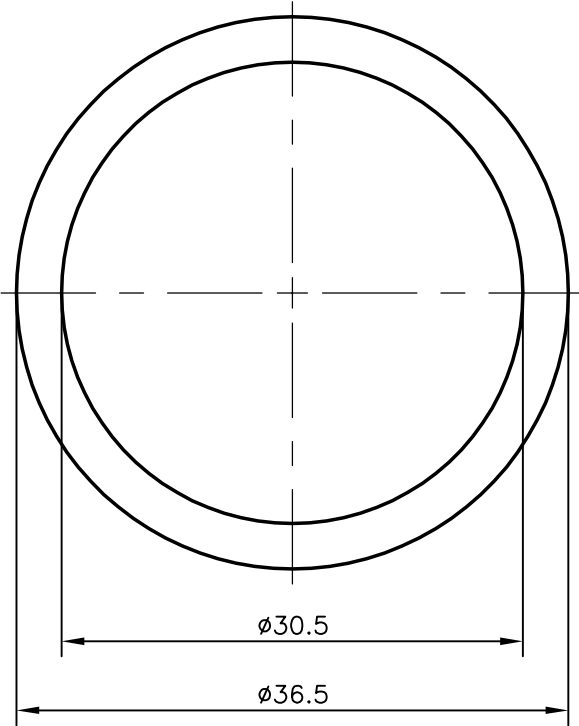
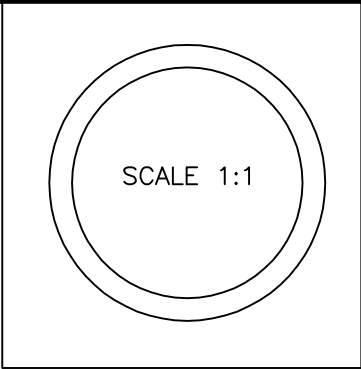



2332
13250
—



 SYMBOL OF QUALITY AN ISO 9001 COMPANY	JINDAL ALUMINIUM LTD. BANGALORE-560073 (INDIA)	NAME		DATE
		DRAWN	PRASANN.H	28-12-2006
1. ALL DIMENSIONS ARE IN mm. 2. ROUND OFF ALL SHARP CORNERS WITH 0.4 mm. 3. TOLERANCES WILL BE AS PERIS:2673-1979 UNLESS OTHERWISE SPECIFIED		CHECKED		
		APPROVED		
PARTY'S NAME HCL LTD. REPROGRAPHICS DIVISION, DEHRADUN		SCALE		2:1
		AREA mm ²		315.73
PARTY'S DRAWING No. —		PERIMETER mm.		114.668
		WEIGHT kg/m		0.852
ALLOY & TEMPER HE9 WP		DRAWING No.	SECTION No.	
		2332	2332	
DESCRIPTION ROUND TUBE		13250	13250	
		—	—	