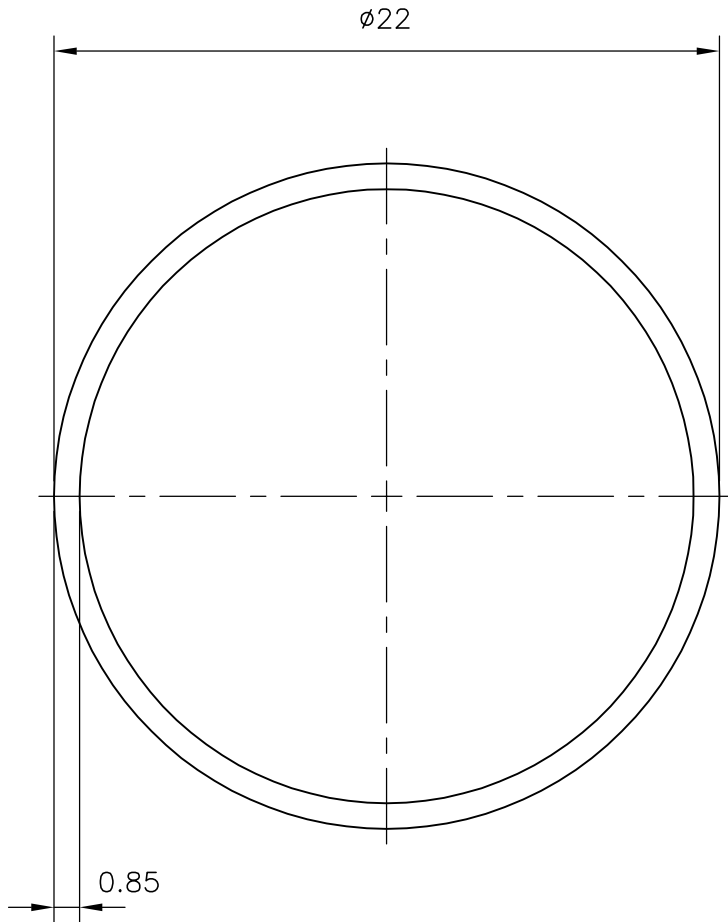
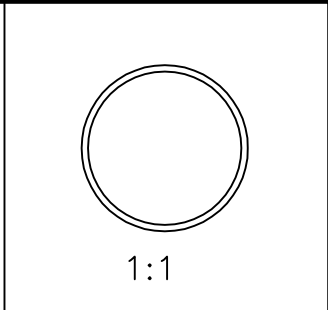



2335
13253



1. No. OF PIECES IN 100 kgs :- 180 (AVERAGE)

 SYMBOL OF QUALITY AN ISO 9001 COMPANY	JINDAL ALUMINIUM LTD. BANGALORE-560073 (INDIA)	NAME		DATE
		DRAWN	J.P.KAUSHIK	23-09-2005
1. ALL DIMENSIONS ARE IN mm. 2. ROUND OFF ALL SHARP CORNERS WITH 0.40 mm. 3. TOLERANCES WILL BE AS PER IS:2673-2002 UNLESS OTHERWISE SPECIFIED		CHECKED		
		APPROVED		
PARTY'S NAME GENERAL CATEGORY		SCALE		4:1
		AREA mm ²		56.478
PARTY'S DRAWING No. -		PERIMETER mm.		69.115
		WEIGHT kg/m		0.152
ALLOY & TEMPER HE9 WP		DRAWING No.		SECTION No.
		2335		2335
DESCRIPTION ROUND TUBE		13253		13253