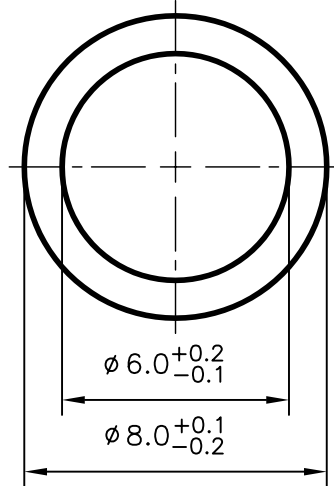


2337

13255



1:1

UTS: -19 kgf/mm²

JINDAL ALUMINIUM LTD.

BANGALORE-560073

JINDAL ALUMINIUM LTD. BANGALORE-560073		NAME		DATE
		DRAWN	R.D.Sharma	04-01-96
1. ALL DIMENSIONS ARE IN mm. 2. ROUND OFF ALL SHARP CORNERS WITH 0.4 mm. 3. TOLERANCES WILL BE AS PER IS: 2673-1979 ,UNLESS OTHERWISE SPECIFIED		CHECKED		
		APPROVED		
PARTY'S NAME	BETA INDUSTRIAL EST.,DUBAI	SCALE	1:1 & 5:1	
PARTY'S DRAWING No.	SECTION-03	WEIGHT kg/m	0.059	
ALLOY & TEMPER	HE9 WP (6063 T6)	SECTION No.	13255	
LENGTH	5850 mm.	DRAWING No.	13255	
DESCRIPTION	ROUND TUBE			