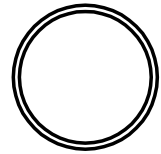
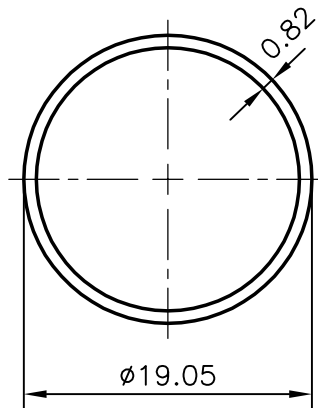


2339

13257



1:1



3658 mm. LONG PIECES IN 100 kgs. :- 215 (AVERAGE)

**JINDAL ALUMINIUM LTD.**

**BANGALORE-560073**

NAME

DATE

DRAWN

R.D.Sharma

24-07-97

1. ALL DIMENSIONS ARE IN mm.  
2. ROUND OFF ALL SHARP CORNERS WITH 0.4 mm.  
3. TOLERANCES WILL BE AS PER IS: 2673-1979 ,UNLESS OTHERWISE SPECIFIED

CHECKED

APPROVED

PARTY'S NAME

GENERAL CATEGORY

SCALE

2:1

PARTY'S DRAWING No.

NIL

WEIGHT kg/m

0.127

ALLOY &amp; TEMPER

HE9 WP

SECTION No.

13257

LENGTH

3658 mm.

DRAWING No.

DESCRIPTION

ROUND TUBE

13257