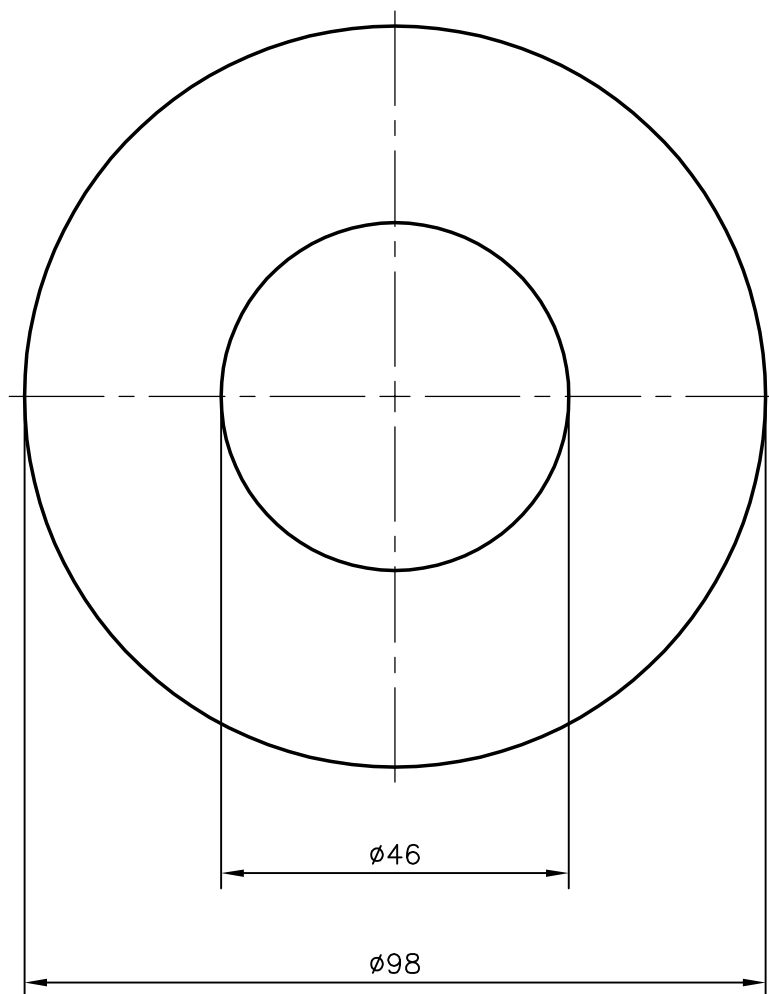


2340
13258



JINDAL ALUMINIUM LTD. BANGALORE-560073			NAME	DATE
		DRAWN	R.D.Sharma	30-08-97
1. ALL DIMENSIONS ARE IN mm. 2. ROUND OFF ALL SHARP CORNERS WITH 0.4 mm. 3. TOLERANCES WILL BE AS PER IS: 2673-1979 ,UNLESS OTHERWISE SPECIFIED		CHECKED		
		APPROVED		
		SCALE	1:1	
PARTY'S NAME	TEXTTOOL COMPANY LTD., COIMBATORE	WEIGHT kg/m	15.878	
PARTY'S DRAWING No.	—	SECTION No.	13258	
ALLOY & TEMPER	HE30 WP	DRAWING No.	13258	
LENGTH	900 mm.			
DESCRIPTION	ROUND TUBE			