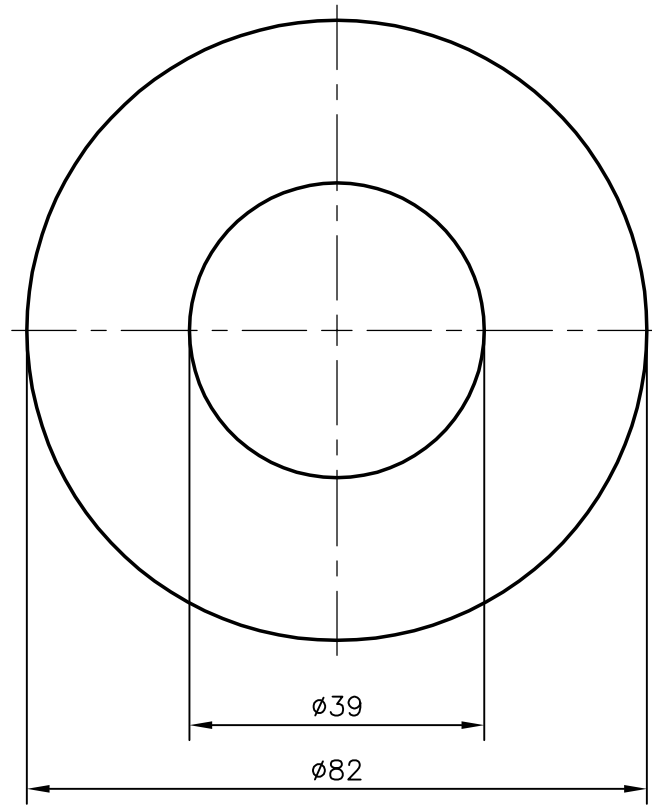


2343

13261



# **JINDAL ALUMINIUM LTD.**

**BANGALORE-560073**

		NAME	DATE
		DRAWN	R.D.Sharma 30-08-97
1. ALL DIMENSIONS ARE IN mm. 2. ROUND OFF ALL SHARP CORNERS WITH 0.4 mm. 3. TOLERANCES WILL BE AS PER IS: 2673-1979 ,UNLESS OTHERWISE SPECIFIED		CHECKED	
		APPROVED	
PARTY'S NAME	TEXTTOOL COMPANY LTD., COIMBATORE	SCALE	1:1
PARTY'S DRAWING No.	-	WEIGHT kg/m	11.033
ALLOY & TEMPER	HE30 WP	SECTION No.	13261
LENGTH	900 mm.	DRAWING No.	
DESCRIPTION	ROUND TUBE	13261	