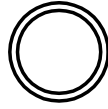
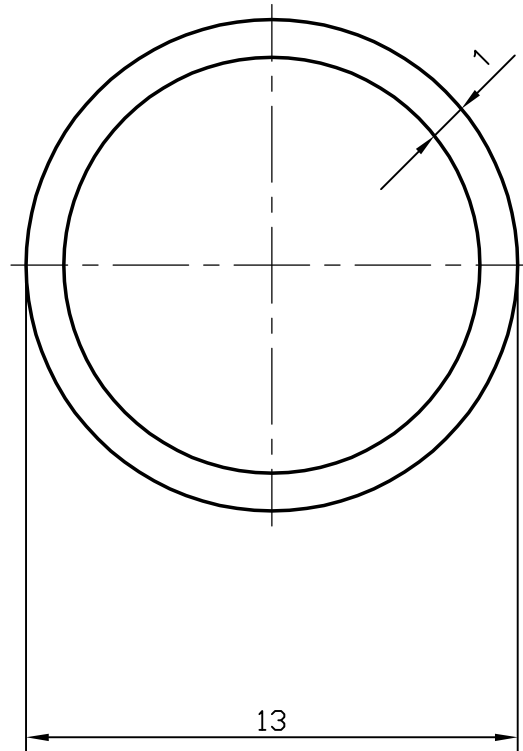


2345

13263



1:1

**JINDAL ALUMINIUM LTD.****BANGALORE-560073**

NAME

DATE

DRAWN

D.SRIVASTAVA

02-05-98

CHECKED

APPROVED

1. ALL DIMENSIONS ARE IN mm.
2. ROUND OFF ALL SHARP CORNERS WITH 0.4 mm.
3. TOLERANCES WILL BE AS PER IS:2673-1979 ,UNLESS OTHERWISE SPECIFIED

PARTY'S NAME

SCOPE METAL TRADING , ISRAEL

SCALE

5:1

PARTY'S DRAWING No.

-

WEIGHT kg/m

0.102

ALLOY &amp; TEMPER

6063 T6

SECTION No.

13263

LENGTH

5850mm

DRAWING No.

DESCRIPTION

ROUND TUBE

13263