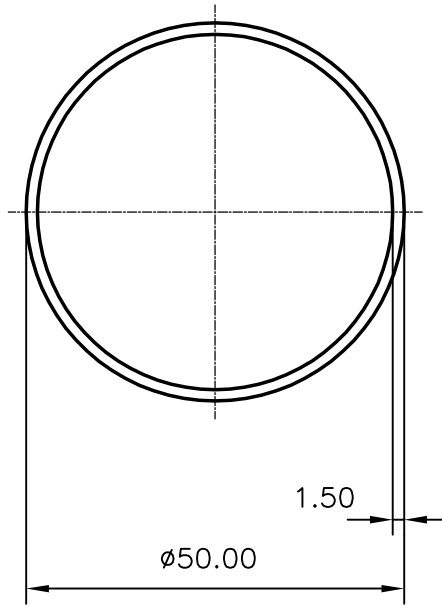


2353

13271



***JINDAL ALUMINIUM LTD.***  
***BANGALORE-560073***

		NAME	DATE
		DRAWN	P,KULKARNI
1. ALL DIMENSIONS ARE IN mm. 2. ROUND OFF ALL SHARP CORNERS WITH 0.4 mm. 3. TOLERANCES WILL BE AS PER ASTM B-221, UNLESS OTHERWISE SPECIFIED		CHECKED	
		APPROVED	
		SCALE	1:1
PARTY'S NAME	SCOPE METAL TRADING & TECHNICAL SERVICES LTD, ISRAEL	WEIGHT kg/m	0.617
PARTY'S DRAWING No.	AS PER SPECIFICATION	SECTION No.	13271
ALLOY & TEMPER	HE9 WP (6063 T6)	DRAWING No.	
LENGTH	5850 mm	13271	
DESCRIPTION	ROUND TUBE		