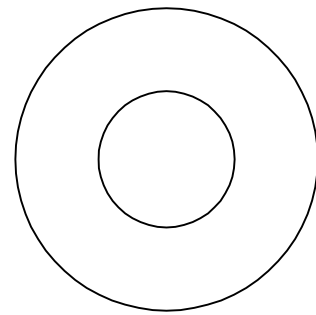
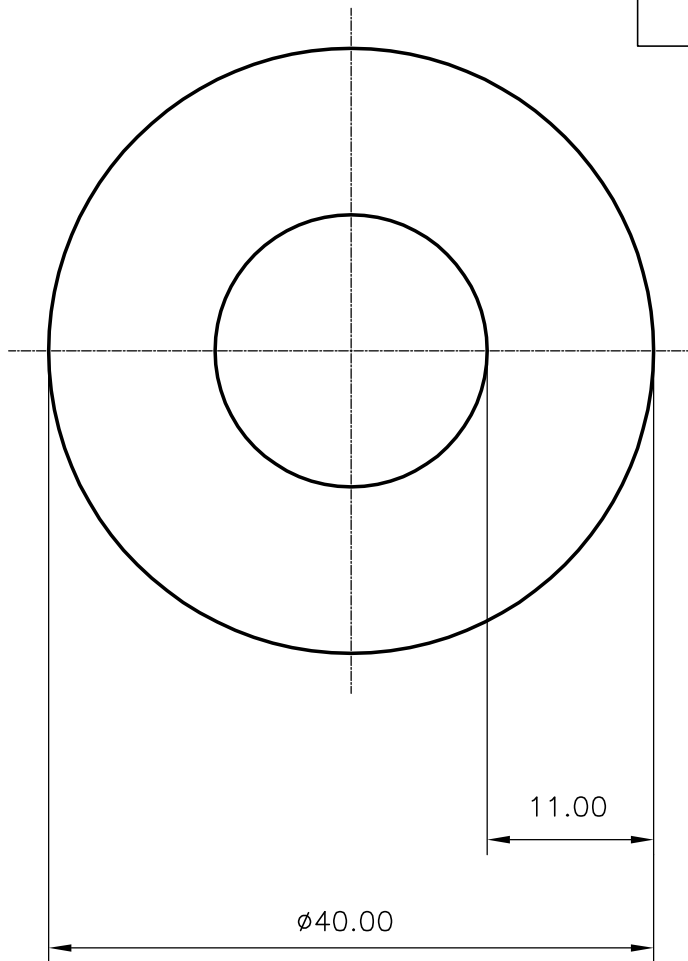


2358
13276



1:1



JINDAL ALUMINIUM LTD.
BANGALORE-560073

	NAME	DATE
DRAWN	P,KULKARNI	10-02-99
CHECKED		
APPROVED		

1. ALL DIMENSIONS ARE IN mm.
2. ROUND OFF ALL SHARP CORNERS WITH 0.4 mm.
3. TOLERANCES WILL BE AS PER IS: 2673-1979 ,UNLESS OTHERWISE SPECIFIED

PARTY'S NAME	AMPHETRONIX LTD., BANGALORE	SCALE	2:1
PARTY'S DRAWING No.	AS PER SPECIFICATION	WEIGHT kg/m	2.705
ALLOY & TEMPER	6061 T6	SECTION No.	13276
LENGTH	800 mm	DRAWING No.	13276
DESCRIPTION	ROUND TUBE		