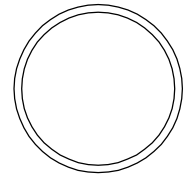
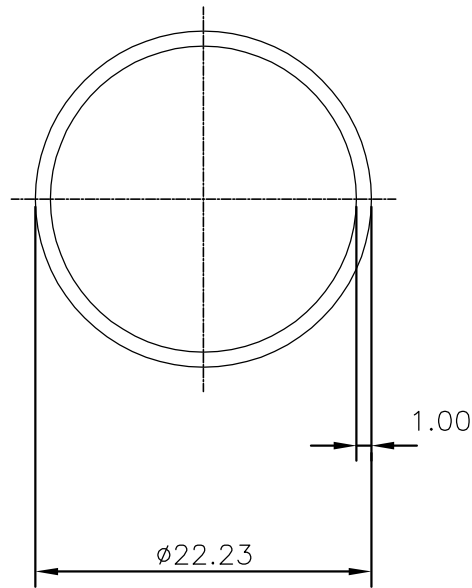


2360

13278



1:1



JINDAL ALUMINIUM LTD.
BANGALORE-560073

NAME

DATE

DRAWN

P,KULKARNI

28-1-99

CHECKED

APPROVED

1. ALL DIMENSIONS ARE IN mm.
2. ROUND OFF ALL SHARP CORNERS WITH 0.4 mm.
3. TOLERANCES WILL BE AS PER IS: 2673-1979 ,UNLESS OTHERWISE SPECIFIED

PARTY'S NAME

TATA ELECTRIC CO LTD, MUMBAI

SCALE

2:1

PARTY'S DRAWING No.

AS PER SPECIFICATION

WEIGHT kg/m

0.180

ALLOY & TEMPER

E1B 'M'

SECTION No.

13278

LENGTH

2400 mm

DRAWING No.

DESCRIPTION

ROUND TUBE

13278