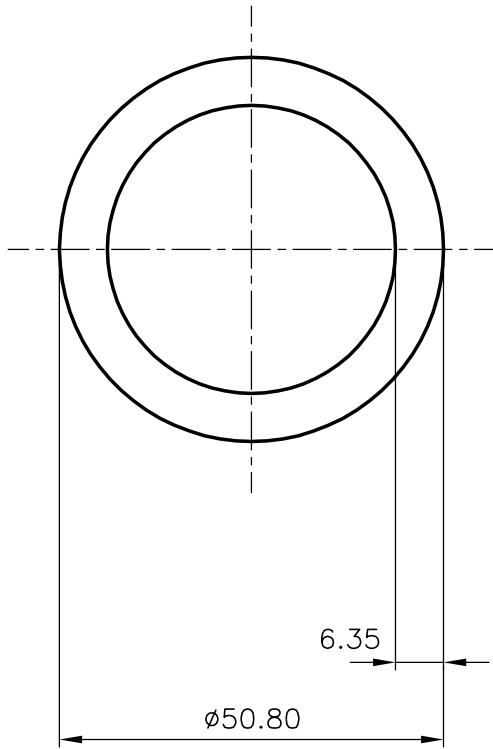



2365  
13282



 SYMBOL OF QUALITY AN ISO 9002 COMPANY	<b>JINDAL ALUMINIUM LTD.</b> BANGALORE-560073 (INDIA)		NAME	DATE
		DRAWN	P,KULKARNI	26-8-2000
1. ALL DIMENSIONS ARE IN mm. 2. ROUND OFF ALL SHARP CORNERS WITH 0.40 mm. 3. TOLERANCES WILL BE AS PER ASTM B-221/ASTM B-429 UNLESS OTHERWISE SPECIFIED		CHECKED		
		APPROVED		
		SCALE	1:1	
PARTY'S NAME	SCOPE METAL TRADING, ISRAEL.	WEIGHT kg/m	2.400	
PARTY'S DRAWING No.	AS PER SPECIFICATION	SECTION No.	13282	
ALLOY & TEMPER	6061 T6	DRAWING No. 13282		
DESCRIPTION	ROUND TUBE			