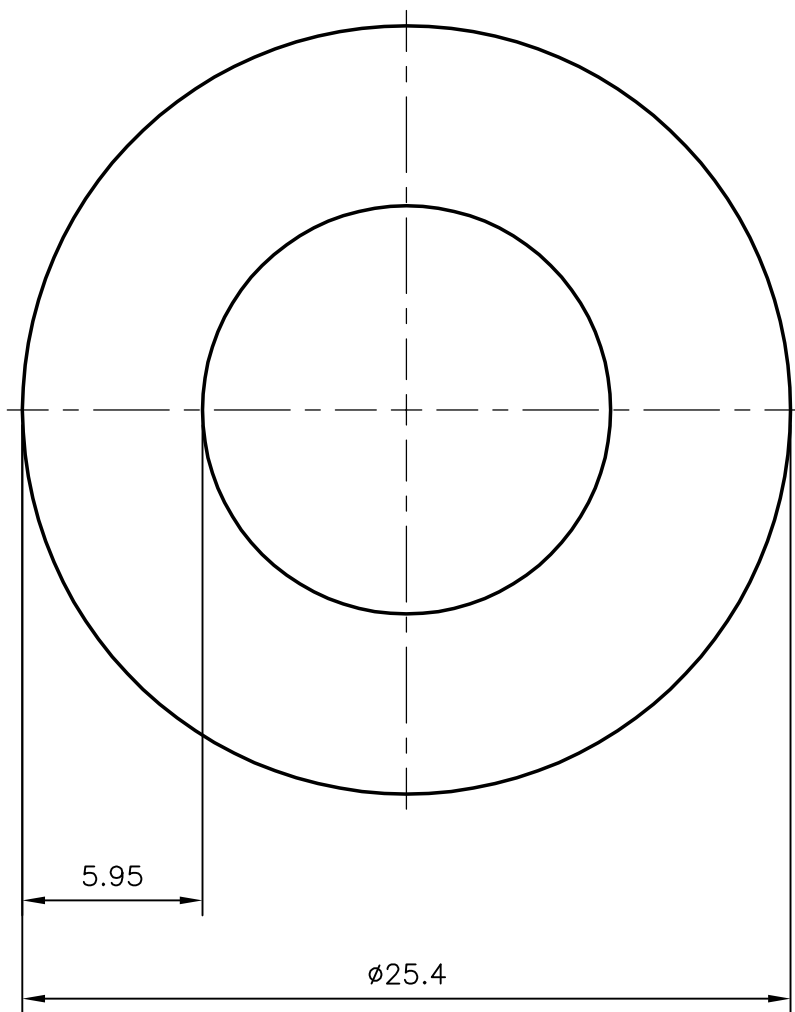
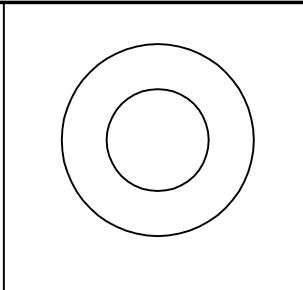


2376
13293



JINDAL ALUMINIUM LTD. BANGALORE-560073			NAME	DATE
		DRAWN	J.P.KAUSHIK	22.10.2005
1. ALL DIMENSIONS ARE IN mm. 2. ROUND OFF ALL SHARP CORNERS WITH 0.4 mm. 3. TOLERANCES WILL BE AS PER IS: 2673-191979, UNLESS OTHERWISE SPECIFIED		CHECKED		
		APPROVED		
		SCALE	4:1	
PARTY'S NAME	GENERAL CATEGORY., KOLKATA MARKET	WEIGHT kg/m	0.981	
PARTY'S DRAWING No.	AS PER SPECIFICATION	SECTION No.	13293	
ALLOY & TEMPER	6063 T6	DRAWING No.	13293	
LENGTH	—			
DESCRIPTION	ROUND TUBE			