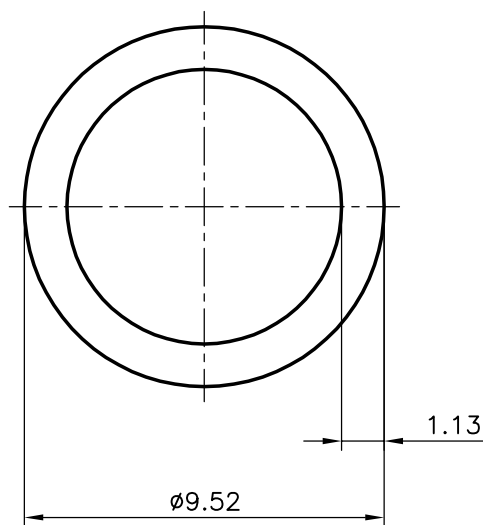


9806


13303



1:1



NO.OF PIECES IN 100 Kgs:- 340 (AVERAGE)

 SYMBOL OF QUALITY AN ISO 9001 COMPANY	JINDAL ALUMINIUM LTD. BANGALORE-560073 (INDIA)		NAME	DATE
		DRAWN	PRASHANT	18-11-2006
		CHECKED		
1. ALL DIMENSIONS ARE IN mm. 2. ROUND OFF ALL SHARP CORNERS WITH 0.40 mm. 3. TOLERANCES WILL BE AS PER IS:2673-2002 UNLESS OTHERWISE SPECIFIED		APPROVED		
PARTY'S NAME	—	SCALE		5:1
PARTY'S DRAWING No.	LIGHTER SECTION OF 2001	AREA mm ²		29.784
ALLOY & TEMPER	HE9 WP	PERIMETER mm.		29.908
DESCRIPTION	ROUND TUBE	WEIGHT kg/m		0.08
		DRAWING No.	SECTION No.	
		9806	9806	
		13303	13303	