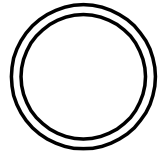
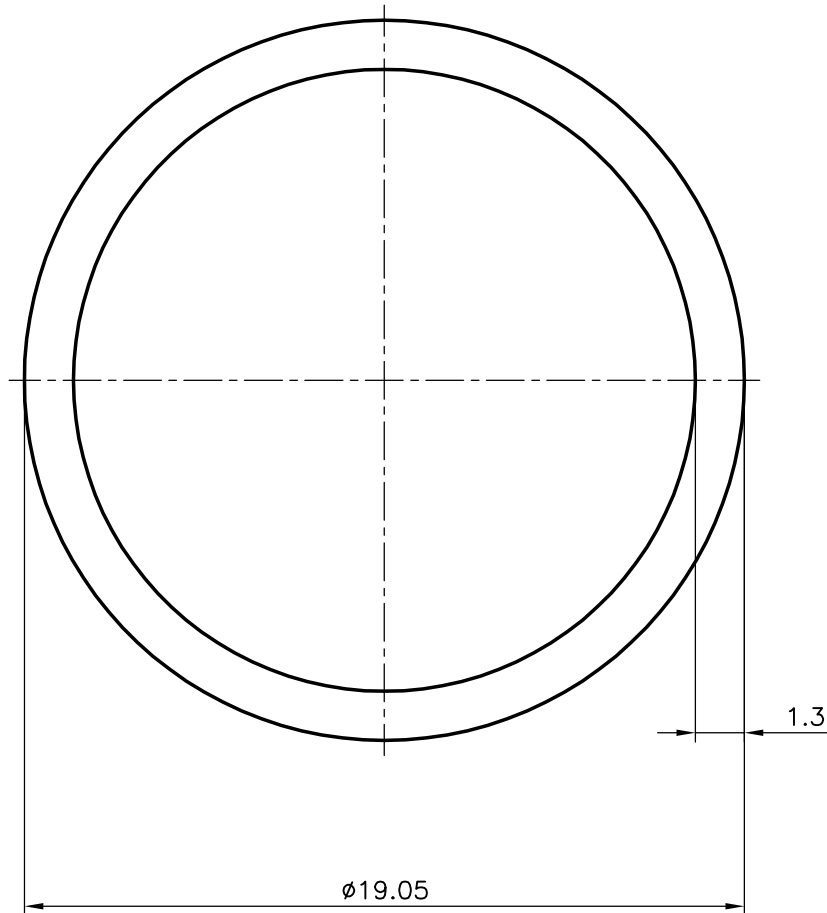


9807


13304



SCALE 1:1



NO.OF PIECES IN 100 Kgs:- 140 (AVERAGE)

 SYMBOL OF QUALITY AN ISO 9001 COMPANY	JINDAL ALUMINIUM LTD. BANGALORE-560073 (INDIA)	NAME	DATE
		DRAWN	PRASHANT 18-11-2006
1. ALL DIMENSIONS ARE IN mm. 2. ROUND OFF ALL SHARP CORNERS WITH 0.40 mm. 3. TOLERANCES WILL BE AS PER IS:2673-2002 UNLESS OTHERWISE SPECIFIED		CHECKED	
		APPROVED	
PARTY'S NAME —		SCALE	5:1
		AREA mm ²	72.492
PARTY'S DRAWING No. LIGHTER SECTION OF 2018		PERIMETER mm.	59.847
		WEIGHT kg/m	0.195
ALLOY & TEMPER HE9 WP		DRAWING No.	SECTION No.
		9807	9807
DESCRIPTION ROUND TUBE		13304	13304