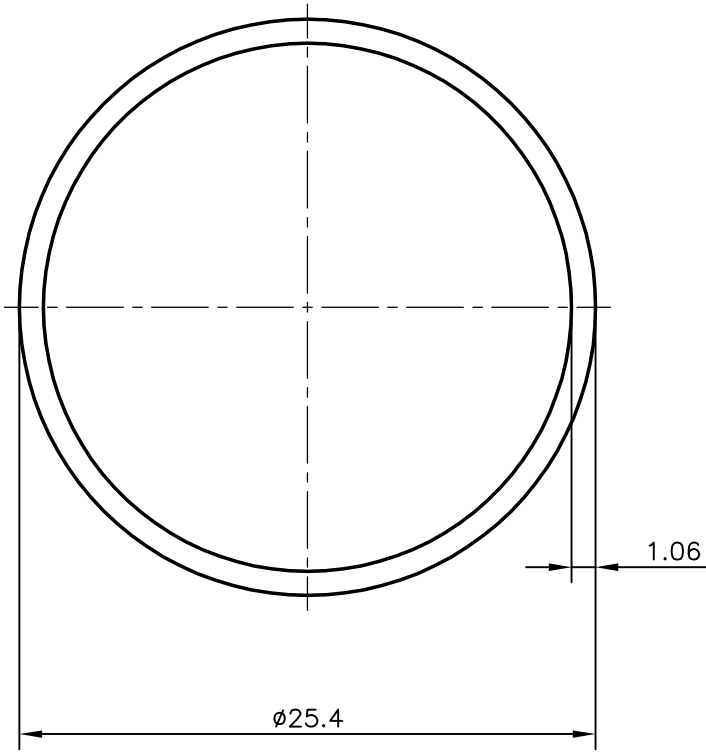
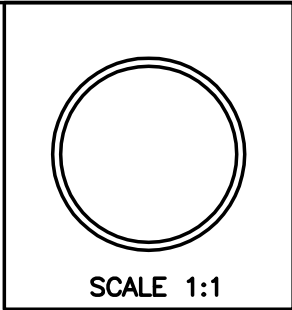


9808
13305



**JINDAL ALUMINIUM LTD.**  
*BANGALORE-560073 (INDIA)*

	NAME	DATE
DRAWN	PRASANN.H	12-12-2006

CHECKED		
APPROVED		

SCALE	3:1
AREA mm <sup>2</sup>	81.054
PERIMETER mm.	79.796
WEIGHT kg/m	0.219

DRAWING No.	SECTION No.
9808	9808
13305	13305

1. ALL DIMENSIONS ARE IN mm.
2. ROUND OFF ALL SHARP CORNERS WITH 0.40 mm.
3. TOLERANCES WILL BE AS PER IS:2673-1979 UNLESS OTHERWISE SPECIFIED

PARTY'S NAME	-
PARTY'S DRAWING No.	LIGHTER SECTION OF 2025
ALLOY & TEMPER	HE9 WP
DESCRIPTION	ROUND TUBE