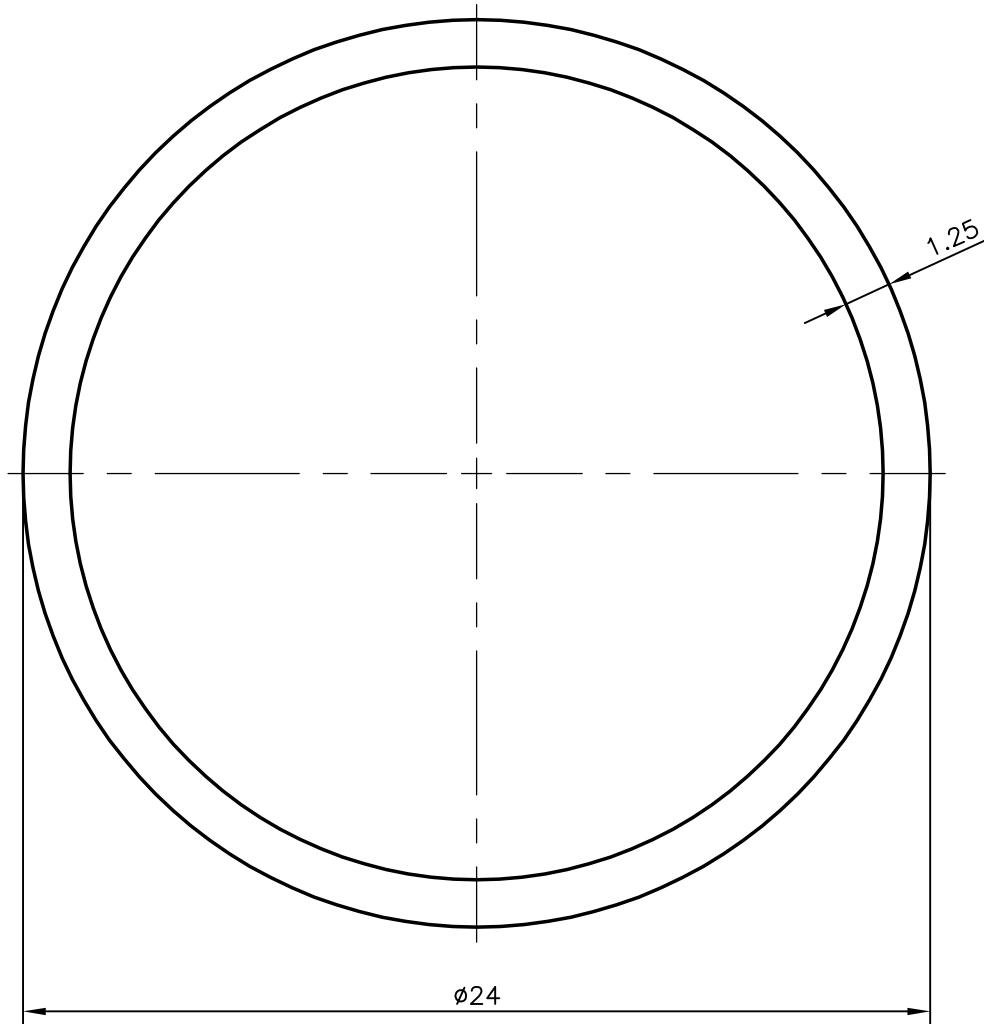


S672

9811

13308

SCALE 1:1



SYMBOL OF QUALITY
AN ISO 9001 COMPANY

JINDAL ALUMINIUM LTD.
BANGALORE-560073 (INDIA)

	NAME	DATE
DRAWN	PRASANN.H	05-01-2007
CHECKED		
APPROVED		

1. ALL DIMENSIONS ARE IN mm.
2. ROUND OFF ALL SHARP CORNERS WITH 0.4 mm.
3. TOLERANCES WILL BE AS PERIS:2673-2002 UNLESS OTHERWISE SPECIFIED

SCALE	5:1
AREA mm ²	89.339
PERIMETER mm.	75.398
WEIGHT kg/m	0.241

PARTY'S NAME	EID PARRY INDIA LTD., CHENNAI	DRAWING No.	S672	SECTION No.	S672
PARTY'S DRAWING No.	AS PER YOUR INSTRUCTION		9811		9811
ALLOY & TEMPER	6063-T6		13308		13308
DESCRIPTION	ROUND TUBE				