

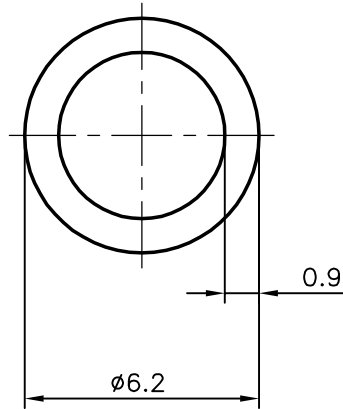
P-3792

9814

13311



SCALE 1:1



SYMBOL OF QUALITY  
AN ISO 9001 COMPANY

**JINDAL ALUMINIUM LTD.**  
**BANGALORE-560073 (INDIA)**

	NAME	DATE
DRAWN	PRASHANT	05-12-2006
CHECKED		
APPROVED		
SCALE		5:1
AREA mm <sup>2</sup>		14.985
PERIMETER mm.		19.478
WEIGHT kg/m		0.040
DRAWING No.	SECTION No.	
9814	9814	
13311	13311	

1. ALL DIMENSIONS ARE IN mm.
2. ROUND OFF ALL SHARP CORNERS WITH 0.40 mm.
3. TOLERANCES WILL BE AS PER IS:2673-2002 UNLESS OTHERWISE SPECIFIED

PARTY'S NAME	IE TECHNICS (PVT) LIMITED SRILANKA
PARTY'S DRAWING No.	—
ALLOY & TEMPER	6063 T6
DESCRIPTION	ROUND TUBE