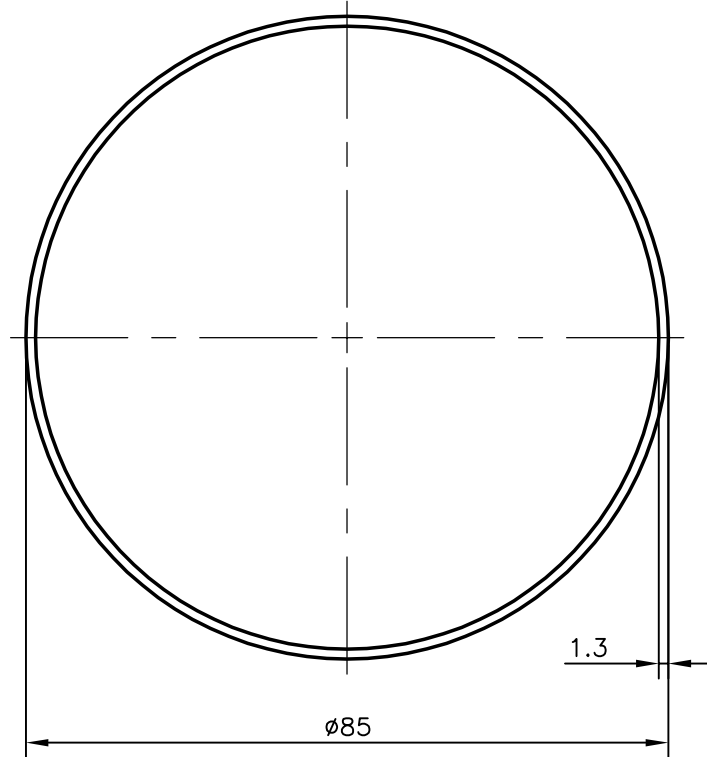



S438
9816
13313



 SYMBOL OF QUALITY AN ISO 9001 COMPANY	<b>JINDAL ALUMINIUM LTD.</b> BANGALORE-560073 (INDIA)	NAME		DATE
		DRAWN	PRASANN.H	23-01-2007
1. ALL DIMENSIONS ARE IN mm. 2. ROUND OFF ALL SHARP CORNERS WITH 0.4 mm. 3. TOLERANCES WILL BE AS PER IS:2673-1979 UNLESS OTHERWISE SPECIFIED		CHECKED		
		APPROVED		
PARTY'S NAME TECHNO PRODUCTS., BANGALORE		SCALE		1:1
		AREA mm <sup>2</sup>		341.837
PARTY'S DRAWING No. AS PER SPECIFICATION		PERIMETER mm.		267.035
		WEIGHT kg/m		0.922
ALLOY & TEMPER HE9 WP		DRAWING No.	SECTION No.	
		S438	S438	
DESCRIPTION ROUND TUBE		9816	9816	
		13313	13313	