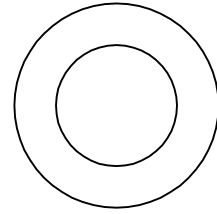


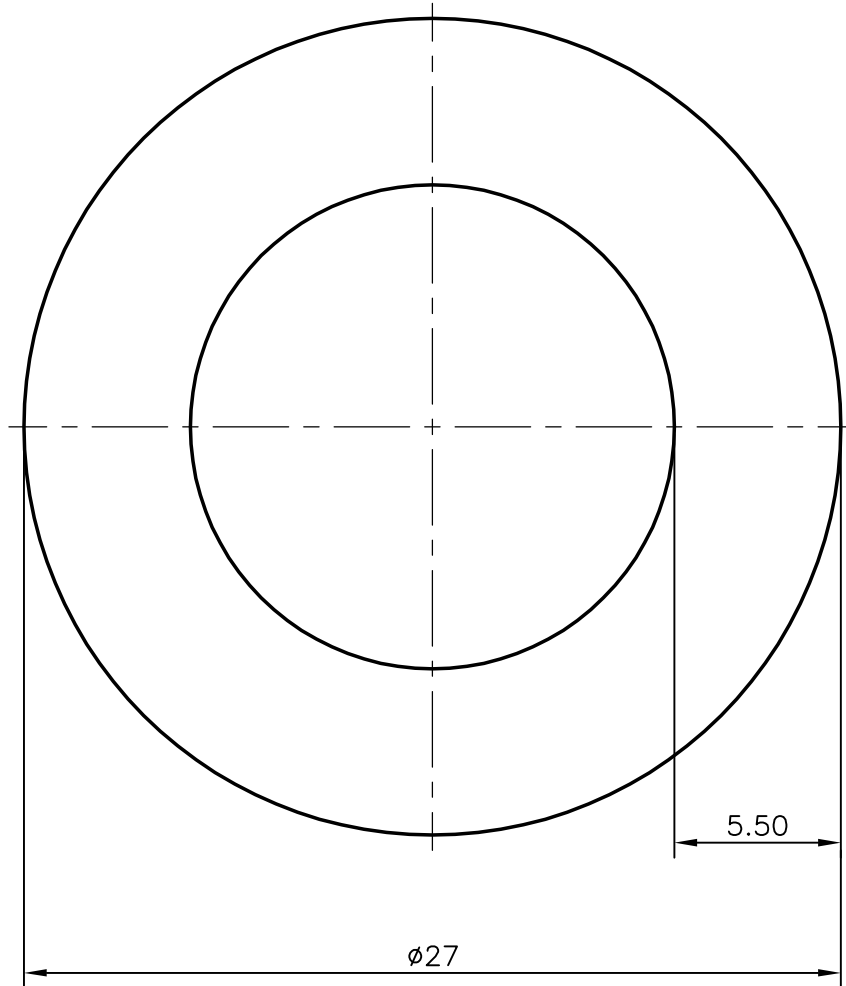
S308

9821

13318



1:1



JINDAL ALUMINIUM LTD.
BANGALORE-560073

		NAME	DATE
		DRAWN	P,KULKARNI
1. ALL DIMENSIONS ARE IN mm. 2. ROUND OFF ALL SHARP CORNERS WITH 0.4 mm. 3. TOLERANCES WILL BE AS PER IS: 2673-1979 ,UNLESS OTHERWISE SPECIFIED		CHECKED	
		APPROVED	
PARTY'S NAME	AMPHETRONIX LTD., BANGALORE	SCALE	4:1
PARTY'S DRAWING No.	AS PER SPECIFICATION	WEIGHT kg/m	1.003
ALLOY & TEMPER	HE20 WP (6061 T6)	SECTION No.	13318
LENGTH	3650 mm	DRAWING No.	
DESCRIPTION	ROUND TUBE	13318	