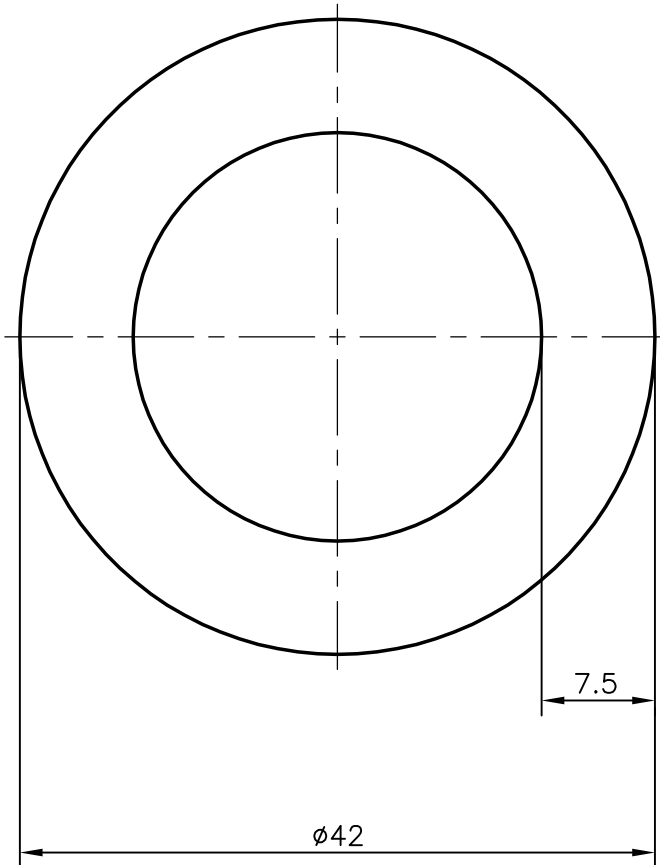
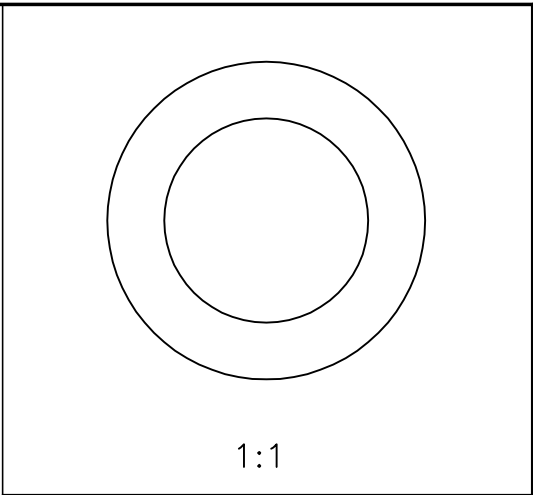


S309
9822
13319



JINDAL ALUMINIUM LTD. <i>BANGALORE-560073</i>			NAME	DATE
		DRAWN	P,KULKARNI	13-1-99
1. ALL DIMENSIONS ARE IN mm. 2. ROUND OFF ALL SHARP CORNERS WITH 0.4 mm. 3. TOLERANCES WILL BE AS PER IS: 2673-1979 ,UNLESS OTHERWISE SPECIFIED		CHECKED		
		APPROVED		
		PARTY'S NAME	AMPHETRONIX LTD., BANGALORE	
PARTY'S DRAWING No.	AS PER SPECIFICATION		WEIGHT kg/m	2.195
ALLOY & TEMPER	HE20 WP (6061 T6)		SECTION No.	13319
LENGTH	3650 mm		DRAWING No.	
DESCRIPTION	ROUND TUBE		13319	