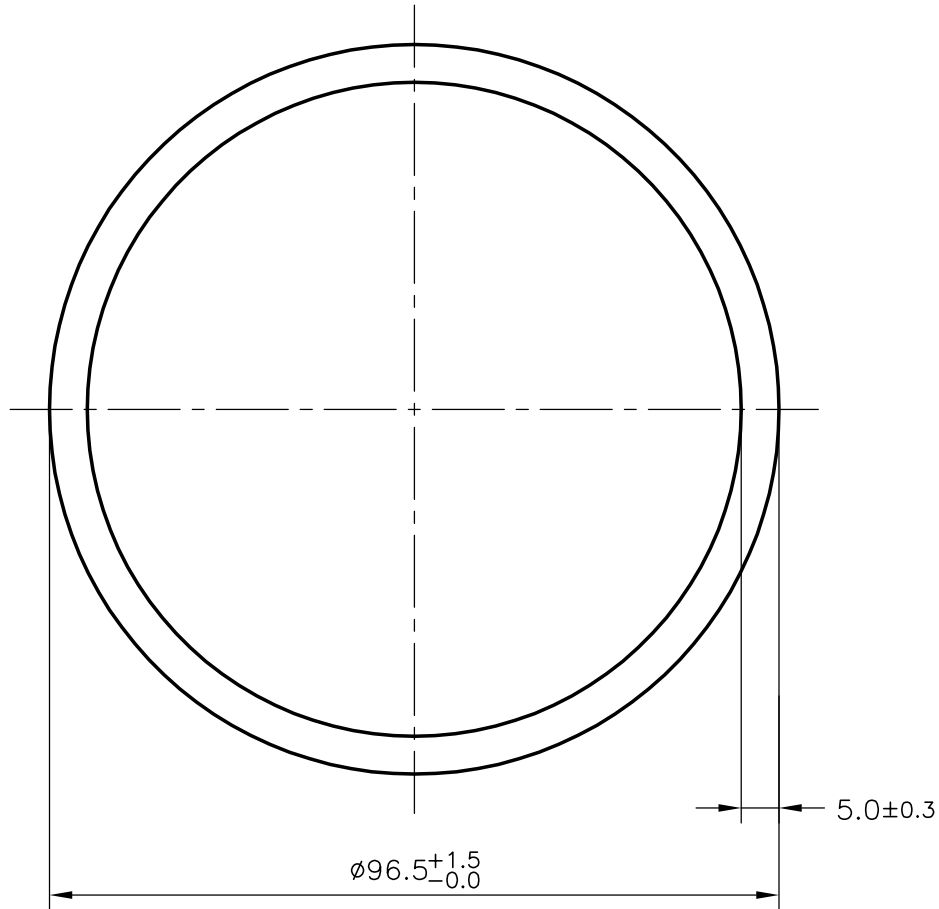



S646

9823

13320



 SYMBOL OF QUALITY AN ISO 9002 COMPANY	JINDAL ALUMINIUM LTD. BANGALORE-560073 (INDIA)		NAME	DATE
		DRAWN	RANGASWAMY	22-02-01
1. ALL DIMENSIONS ARE IN mm. 2. ROUND OFF ALL SHARP CORNERS WITH 0.40 mm. 3. TOLERANCES WILL BE AS PER I.S 2673-1979 UNLESS OTHERWISE SPECIFIED		CHECKED		
		APPROVED		
PARTY'S NAME	PEEVEE ENGG. ENTERPRISES., BANGALORE	SCALE	1:1	
PARTY'S DRAWING No.	AS PER SPECIFICATION	WEIGHT kg/m	3.880	
ALLOY & TEMPER	E91E WP	SECTION No.	13320	
DESCRIPTION	ROUND TUBE	DRAWING No.	13320	